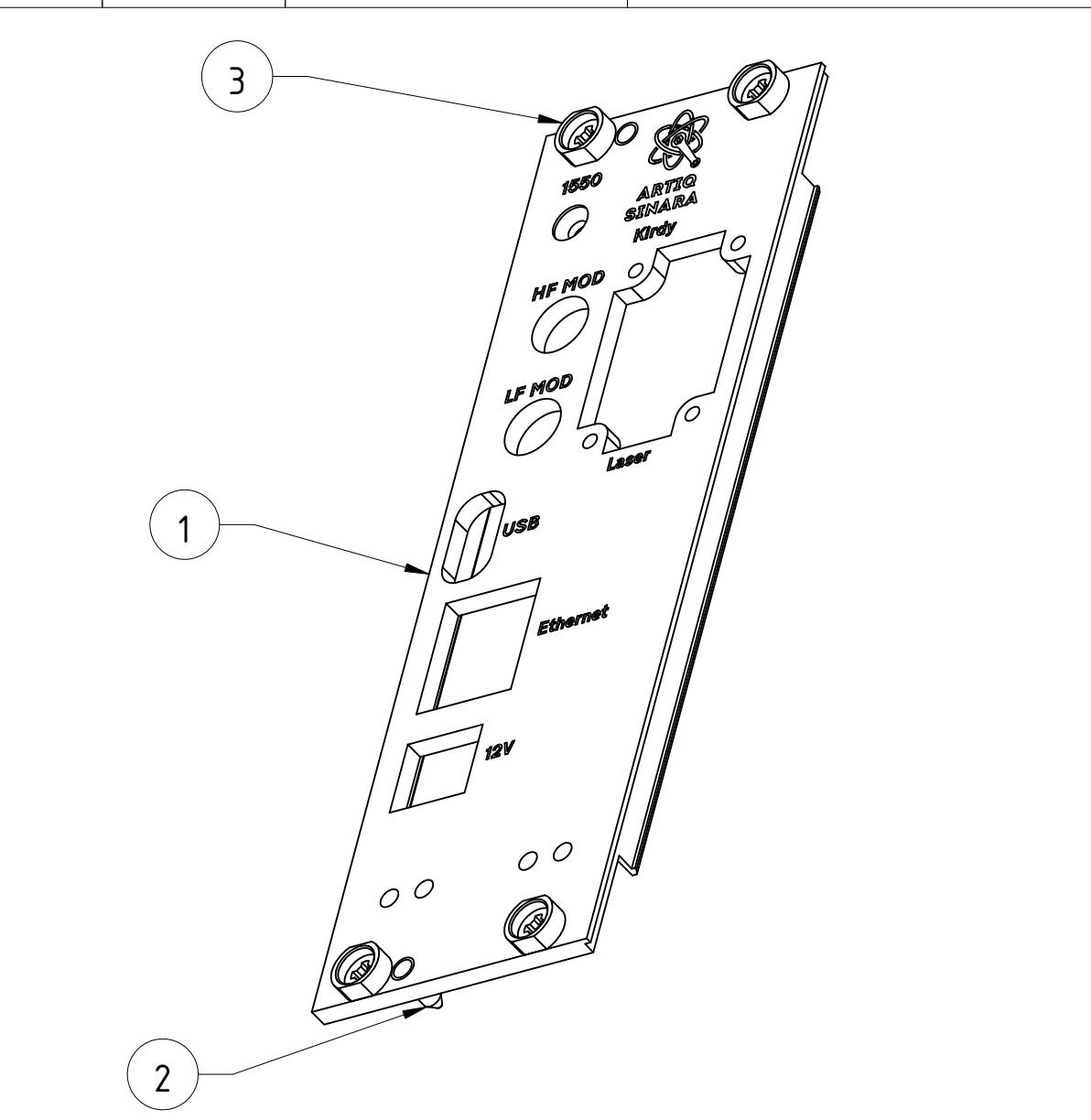
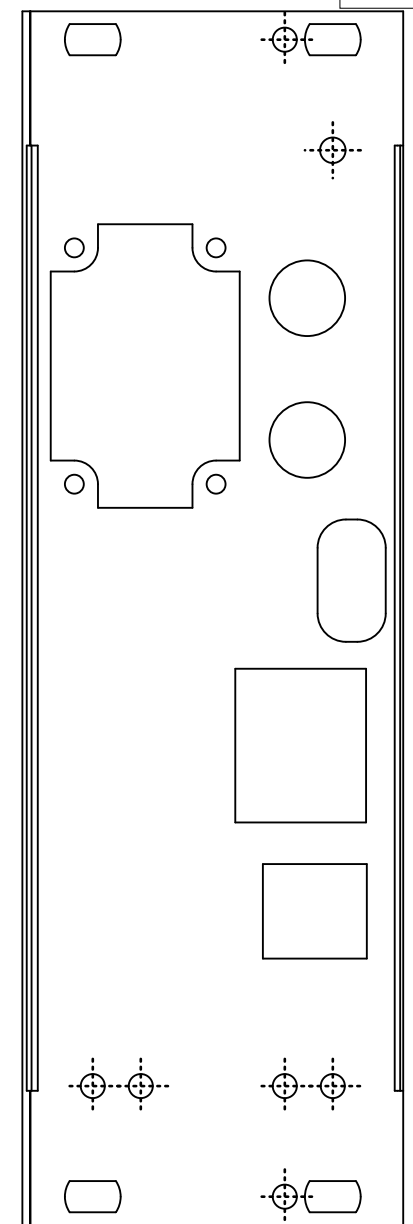
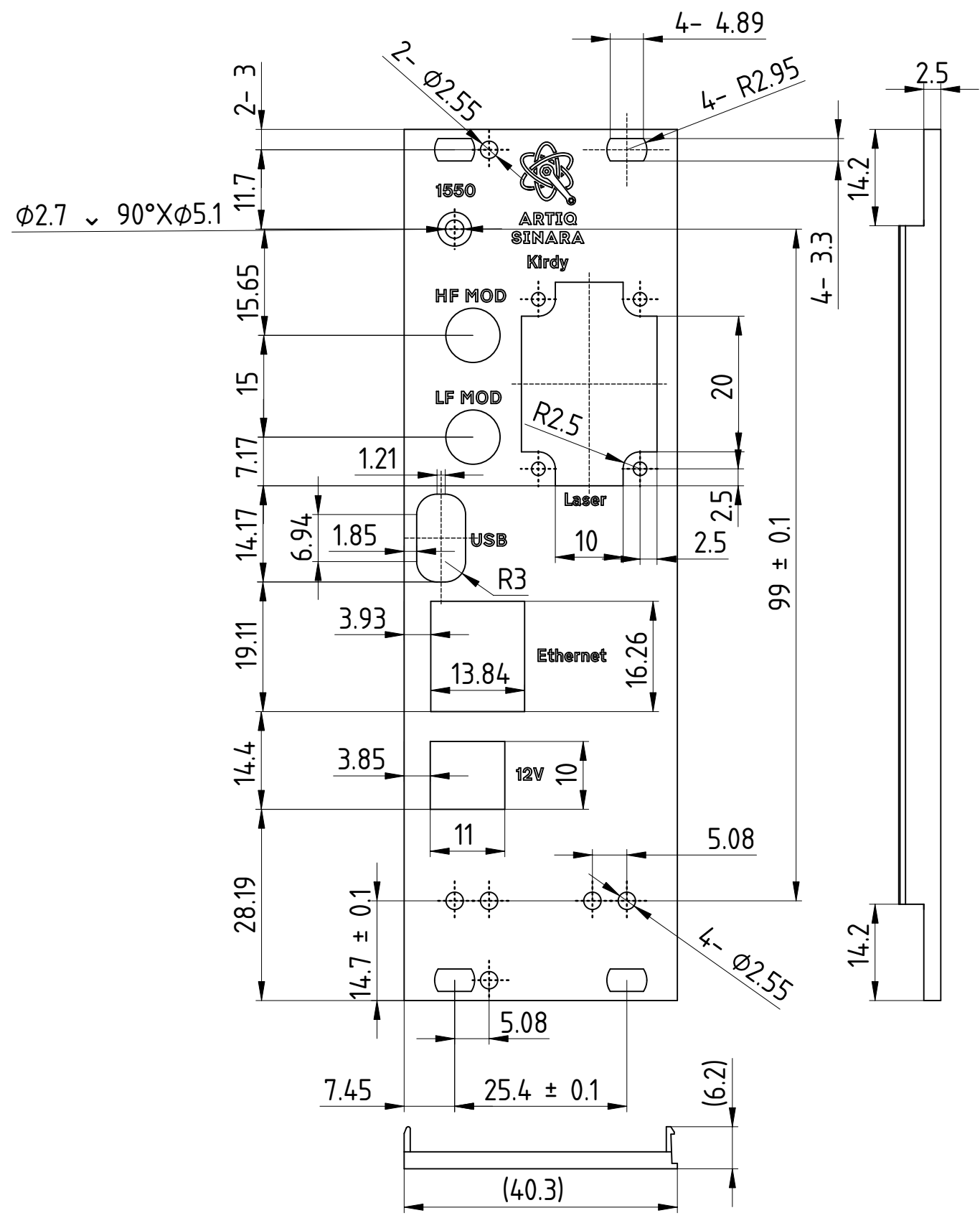


REVISION HISTORY - ALL SHEETS ARE THE SAME REV STATUS			
REV	ZONE	REVISION DESCRIPTION	ECN CODE
A		INITIAL RELEASED	



Index	Part Number	QTY	Description
1	90506942	1	FP-FRONT PANEL, EXTRUDED, TYPE 2, STATIC, 3Ux8HP
2	3218843	2	FP-ALIGNMENT PIN (LOCALIZATION)
3	3020716	0.04	SLEEVE GREY PLAS.M2.5( 100PCS)

NOTES: UNLESS OTHERWISE SPECIFIED.  
 1.DIMENSIONS ARE IN MILLIMETERS, NON-LIMITED DIMENSIONS TOLERANCE, OTHER THAN THE SIZE OF RAW MATERIAL, SHALL BE HELD TO +/-0.2 EXCEPT AS FOLLOWS:  
 +/- 0.15 FOR POSITION OF CUSTOMIZED MACHINING WITH REGARD TO REFERENCE EDGES  
 +/- 0.1 FOR ANY DISTANCES BETWEEN CUT-OUTS +/-0.1 FOR CUT-OUT DIMENSIONS  
 GEOMETRICAL TOLERANCES FOLLOWING ISO 2768-K  
 2.SURFACE FINISH: FRONT CLEAR ANODIZED, REAR CLEAR PASSIVATED  
 3.FRONT SURFACE: CLASS A ,REMAINING SURFACES: CLASS B  
 4.ALL DIMENSIONS SHOWN ARE FOR FABRICATION, ASSY.AND VERIFICATION ONLY. GEOMETRY IS CONTROLLED AND MAINTAINED BY CAD FILE.  
 5.REMOVE ALL BURRS AND SHARP EDGES.  
 6.ALL PROCESSING / MATERIALS MUST COMPLY WITH 2002/95/EC RoHS.  
 7.EXTRUSION PROFILE DIMENSION REFER TO 65309-798.

DESIGNED BY: <b>Linus Woo</b>		<b>FP_1550_3U8HP_PANEL</b>		I	-
DATE: <b>04/12/2023</b>				H	-
CHECKED BY:		<b>M-Labs Limited</b>		G	-
DATE:				F	-
SIZE: <b>A3</b>		<b>M-Labs Limited</b>		E	-
SCALE: <b>5:4</b>	WEIGHT (kg): <b>0.0113</b>			D	-
DRAWING NUMBER: <b>FP-1550-PANEL-REV-A</b>		SHEET: <b>1</b>		C	-
This drawing is our property; it can't be reproduced or communicated without our written agreement.				B	-
				A	-

4  
3  
2  
1

4  
3  
2  
1

H G F E D C B A