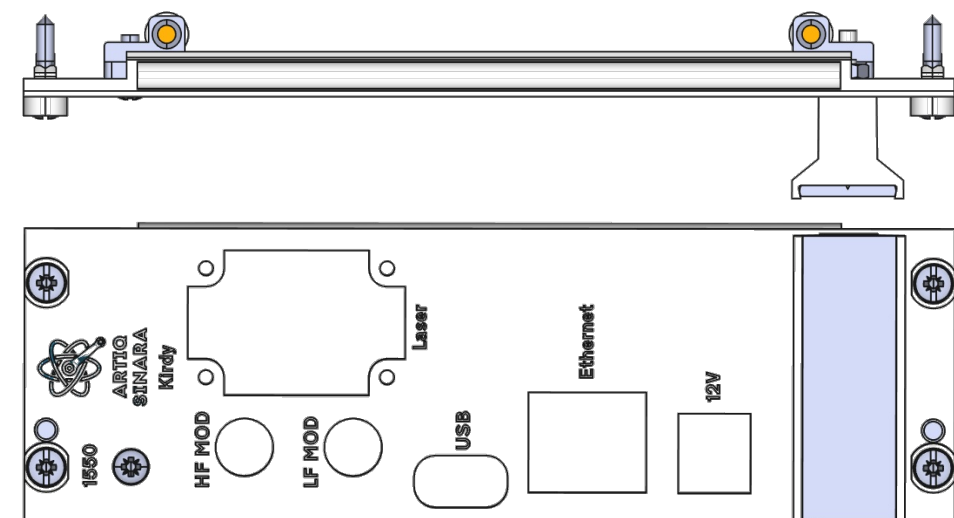
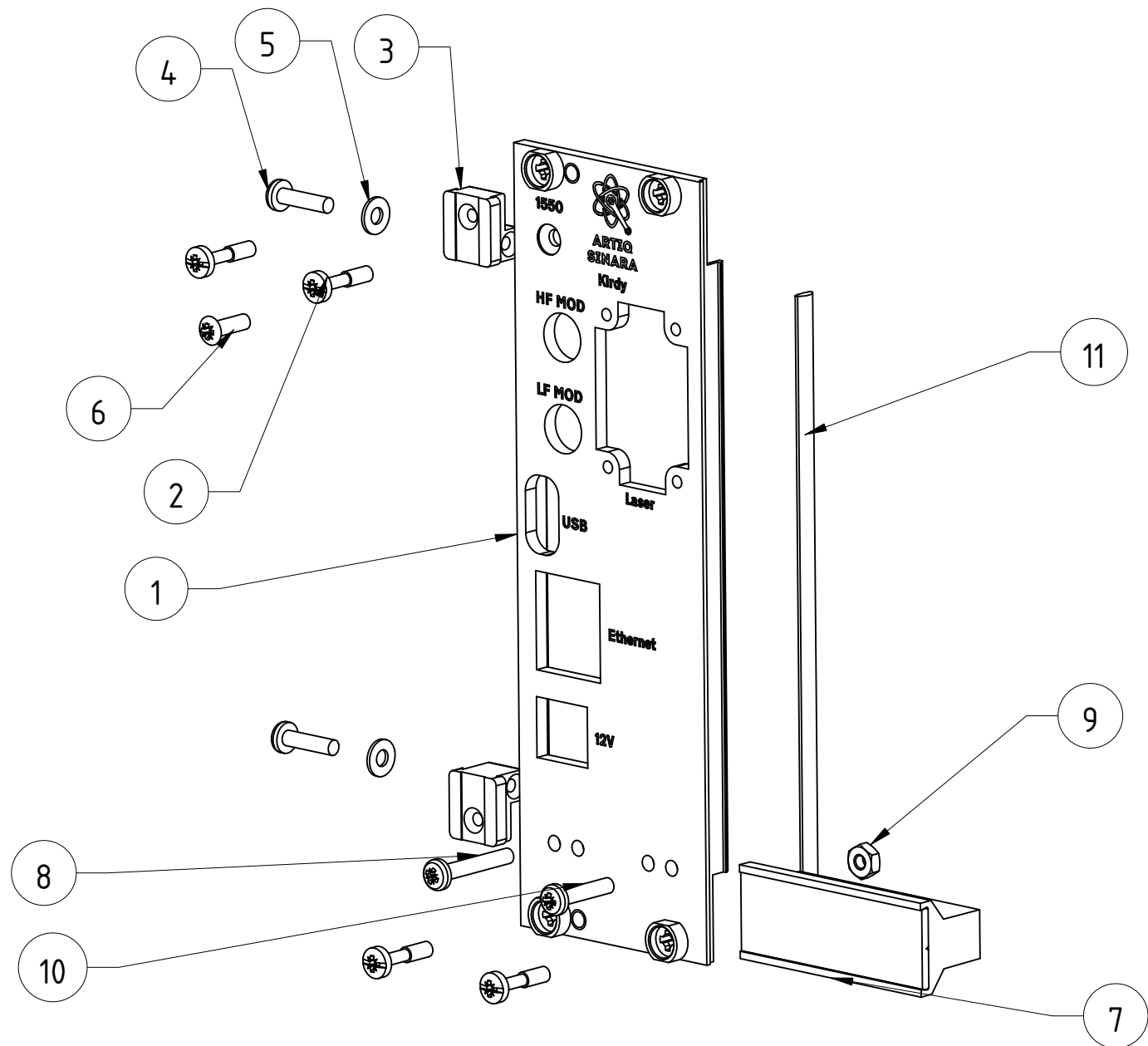


REVISION HISTORY - ALL SHEETS ARE THE SAME REV STATUS			
REV	ZONE	REVISION DESCRIPTION	ECN CODE
A		INITIAL RELEASED	



Index	Part Number	QTY	Description
1	90506942	1	FP-FRONT PANEL, EXTRUDED, TYPE 2, STATIC, 3Ux8HP
2	3033098	0.04	SCREW COLLAR M2.5X12.3(100X)
3	3040138	2	PB HOLDER DIE-CAST
4	3001012	2	SCR M2.5*6 PAN PHL NI DIN7985
5	3010110	0.02	WASHER PLN.M2.7 DIN125(100X)
6	3201099	0.01	SCR M2.5*8 OVL PHL ST NI 100EA
7	3040005	1	HANDLE 8HP GREY PLASTIC
8	3207076	0.01	SCR M2.5*16 PAN 100 21101-222
9	3201130	0.01	NUT M2.5 HEX ST NI KIT(100PCS)
10	3211232	1	SCR M2.5*14 PAN PHL SS
11	3010124	0.10	EMC GASKET FABRIC 3U (10PCS)

NOTES: UNLESS OTHERWISE SPECIFIED.
 1. ALL DIMENSIONS SHOWN ARE FOR FABRICATION, ASSY, AND VERIFICATION ONLY. GEOMETRY IS CONTROLLED AND MAINTAINED BY CAD FILE.
 2. REMOVE ALL BURRS AND SHARP EDGES.
 3. ALL PROCESSING / MATERIALS MUST COMPLY WITH 2002/95/EC RoHS.
 4. REFERENCE ASSEMBLY KIT: nVent SCHROFF 20848-668

DESIGNED BY: Linus Woo		FP_1550_3U8HP_PANEL_ASM		I	-
DATE: 05/12/2023				H	-
CHECKED BY:				G	-
DATE:				F	-
SIZE A3		M-Labs Limited		E	-
SCALE N/A	WEIGHT (kg) 0.0272	DRAWING NUMBER FP-1550-PANEL-ASM-REV-A	SHEET 1	D	-
This drawing is our property; it can't be reproduced or communicated without our written agreement.				C	-
				B	-
				A	-