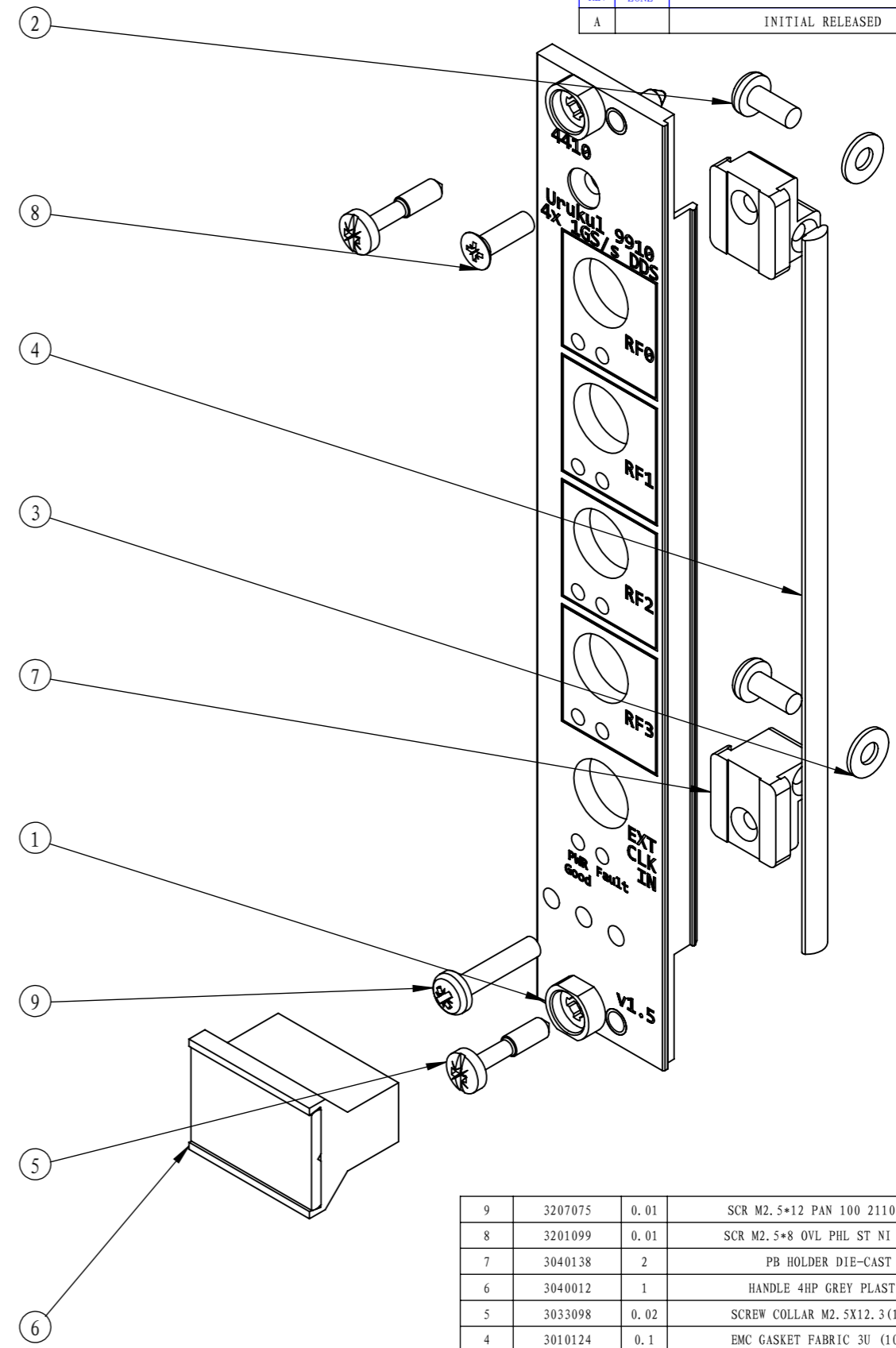
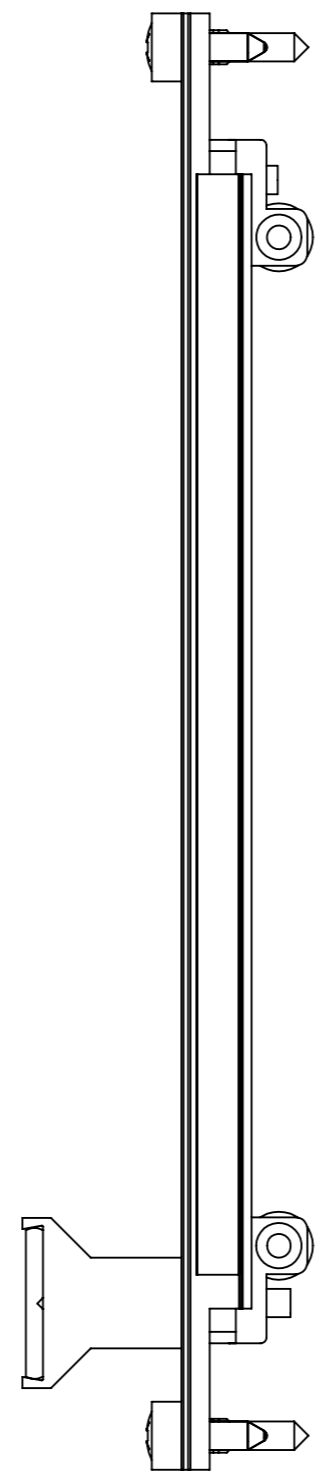
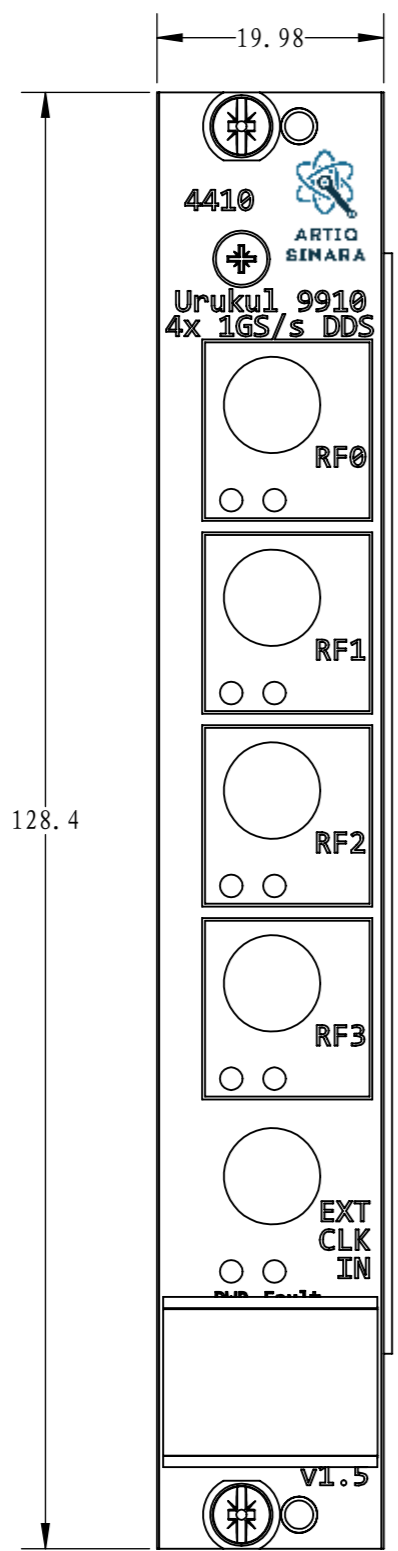


REVISION HISTORY - ALL SHEETS ARE THE SAME REV STATUS			
REV	ZONE	REVISION DESCRIPTION	ECN CODE
A		INITIAL RELEASED	



INDEX	PART NUMBER	QTY	DESCRIPTION	Note
9	3207075	0.01	SCR M2.5*12 PAN 100 21101-221	
8	3201099	0.01	SCR M2.5*8 OVL PHL ST NI 100EA	
7	3040138	2	PB HOLDER DIE-CAST	
6	3040012	1	HANDLE 4HP GREY PLASTIC	
5	3033098	0.02	SCREW COLLAR M2.5X12.3(100X)	
4	3010124	0.1	EMC GASKET FABRIC 3U (10PCS)	
3	3010110	0.02	WASHER PLN. M2.7 DIN125 (100X)	
2	3001012	2	SCR M2.5*6 PAN PHL NI DIN7985	
1	90498177	1	FP-LYKJ 3U4HP PANEL	

BILL OF MATERIAL			
Project Name:	FP	Finish:	前面铝本色阳极氧化(7...12um厚), 后面无色化学氧化
Scale:	3:2	Material:	NA THK: mm
Description:	FP-LYKJ 3U4HP PANEL ASSY		
Drawing Number:	FPPU0304E139M0022	Sh	Pg
		1	1
REF NO:		MASS (kg)	0.0320
Approved by	Date	Name	
Designed by	2020/12/3	Evan	
Drawn by	2020/12/3	Dongyang, Li	
Checked by	2020/12/3	Randy	

默认线性公差表			
0	< X ≤ 6	±0.1	
6	< X ≤ 30	±0.2	
30	< X ≤ 120	±0.3	
120	< X ≤ 400	±0.5	
400	< X ≤ 1000	±0.8	
1000	< X ≤ 2000	±1.2	
角度公差 ± 0.5°			

技术要求:
1. 尺寸单位为毫米。除非特别标出,线性尺寸公差为ISO 2768-M
下面要求除外:
+/-0.15 定制铣加工开孔特征距离参考轮廓
+/-0.1 任意开孔之间的距离
+/-0.1 开孔尺寸
形位公差参考 ISO 2768-K;
2. 清除毛刺和锐利边;
3. 所有标出尺寸仅为制造, 组装和检验。几何形状特征以CAD文件为准;
4. 所有工艺过程和原材料应符合RoHS。

RIGHTS RESERVED
THIS DOCUMENT AND ANY ASSOCIATED DATA
IS UNCLASSIFIED INFORMATION
THAT IS NOT PROPERTY
OF NVENT. IT IS TO BE KEPT
CONFIDENTIAL AND NOT
DISCLOSED TO OR REPRODUCED
BY OTHERS EXCEPT AS AUTHORIZED BY NVENT.

