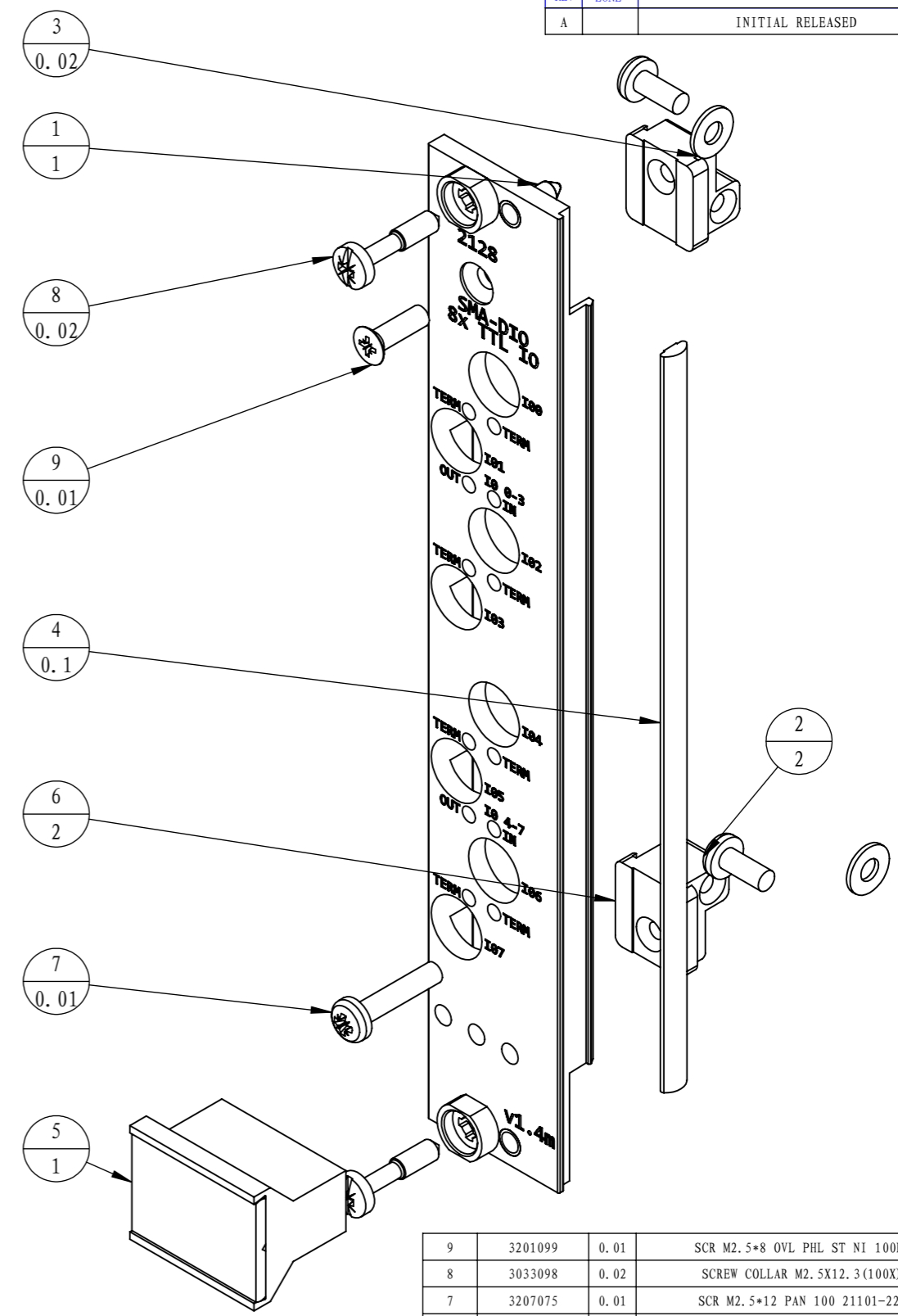
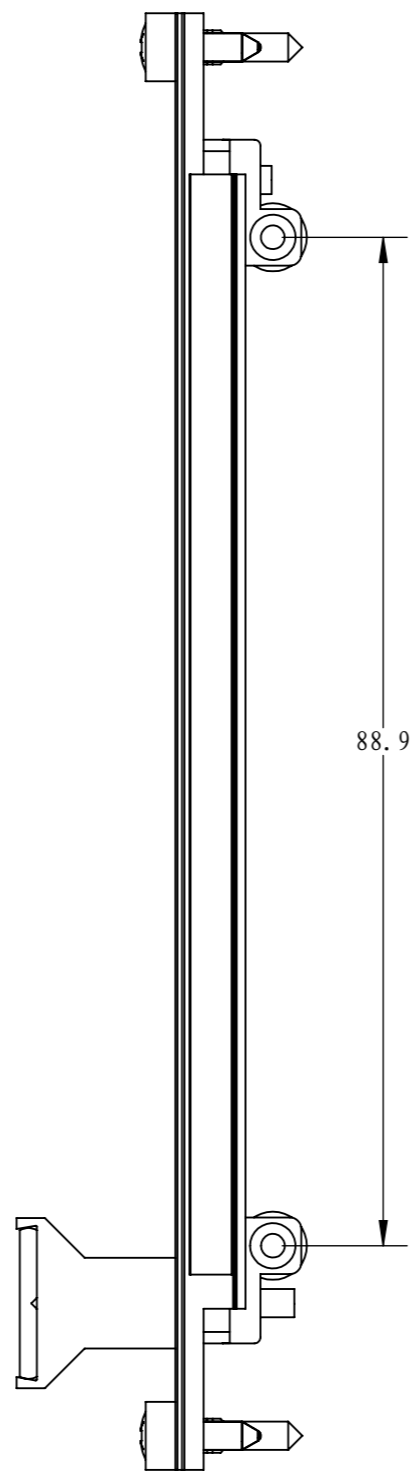
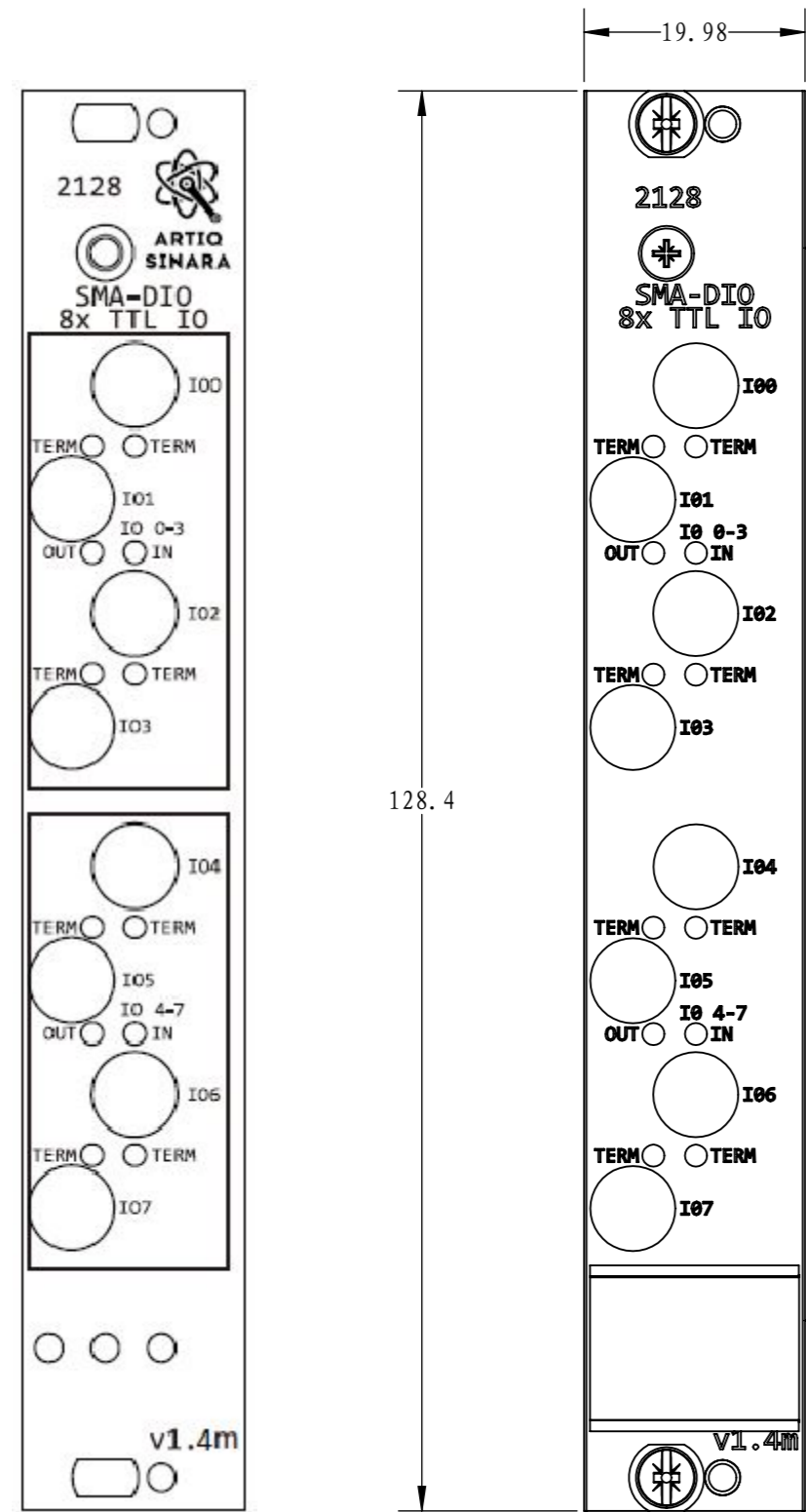


REVISION HISTORY - ALL SHEETS ARE THE SAME REV STATUS			
REV	ZONE	REVISION DESCRIPTION	ECN CODE
A		INITIAL RELEASED	



INDEX	PART NUMBER	QTY	DESCRIPTION	Note
9	3201099	0.01	SCR M2.5*8 OVL PHL ST NI 100EA	
8	3033098	0.02	SCREW COLLAR M2.5X12.3(100X)	
7	3207075	0.01	SCR M2.5*12 PAN 100 21101-221	
6	3040138	2	PB HOLDER DIE-CAST	
5	3040012	1	HANDLE 4HP GREY PLASTIC	
4	3010124	0.1	EMC GASKET FABRIC 3U (10PCS)	
3	3010110	0.02	WASHER PLN. M2.7 DIN125(100X)	
2	3001012	2	SCR M2.5*6 PAN PHL NI DIN7985	
1	90560203	1	FP-LY 3U4HP PANEL	

BILL OF MATERIAL				
Project Name:	FP	Finish:		
Scale:	3:2	Material:	NA	THK: mm
Description:	FP-LY 3U4HP PANEL ASSY			
Drawing Number:	FPPU0304E139M0027		Sh	Pg
Approved by	2022/2/16	Edison	1	1
Designed by	2022/2/16	Marshall		
Drawn by	2022/2/16	Marshall		
Checked by	2022/2/16	Randy		
REF NO:		MASS (kg)	0.0320	REV A

默认线性公差表				
0	< X	≤ 6	±0.1	
6	< X	≤ 30	±0.2	
30	< X	≤ 120	±0.3	
120	< X	≤ 400	±0.5	
400	< X	≤ 1000	±0.8	
1000	< X	≤ 2000	±1.2	
角度公差 ± 0.5°				

技术要求:  
 NOTES: UNLESS OTHERWISE SPECIFIED.  
 1. 尺寸单位为毫米。除非特殊要求, 公差应符合:  
 线性尺寸公差: ISO 2768-M  
 形状位置公差: ISO 2768-K  
 DIMENSIONS ARE IN MILLIMETERS, NON-LIMITED DIMENSIONS, FOLLOWING:  
 DIMENSION TOLERANCES: ISO 2768-M  
 GEOMETRICAL TOLERANCES: ISO 2768-K  
 2. 清除毛刺和锐利边;  
 REMOVE ALL BURRS AND SHARP EDGES;  
 3. 所有标出尺寸仅为制造, 组装和检验。几何形状特征以CAD文件为准;  
 ALL DIMENSIONS SHOWN ARE FOR FABRICATION, ASSY, AND VERIFICATION ONLY.  
 GEOMETRY IS CONTROLLED AND MAINTAINED BY CAD FILE;  
 4. 所有工艺过程和原材料应符合RoHS。  
 ALL PROCESSING / MATERIALS MUST COMPLY WITH RoHS.

INVENT RESTRICTED  
 THIS DOCUMENT AND ANY ASSOCIATED DATA  
 IS UNCLASSIFIED INFORMATION  
 THAT IS INVENT PROPERTY  
 TO NOT BE DISCLOSED TO OR REPLICATED  
 FOR OTHERS EXCEPT AS AUTHORIZED BY INVENT.

