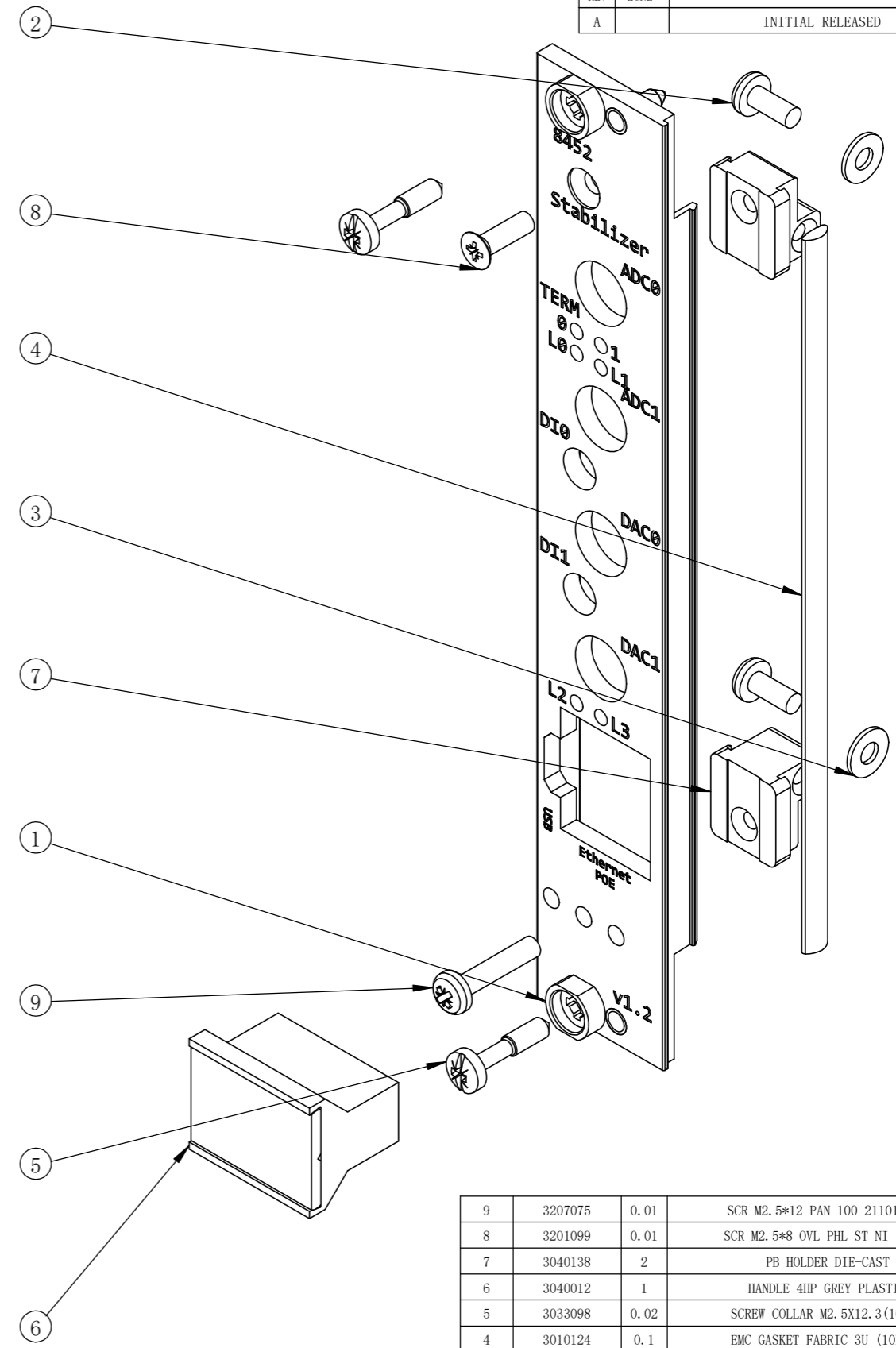
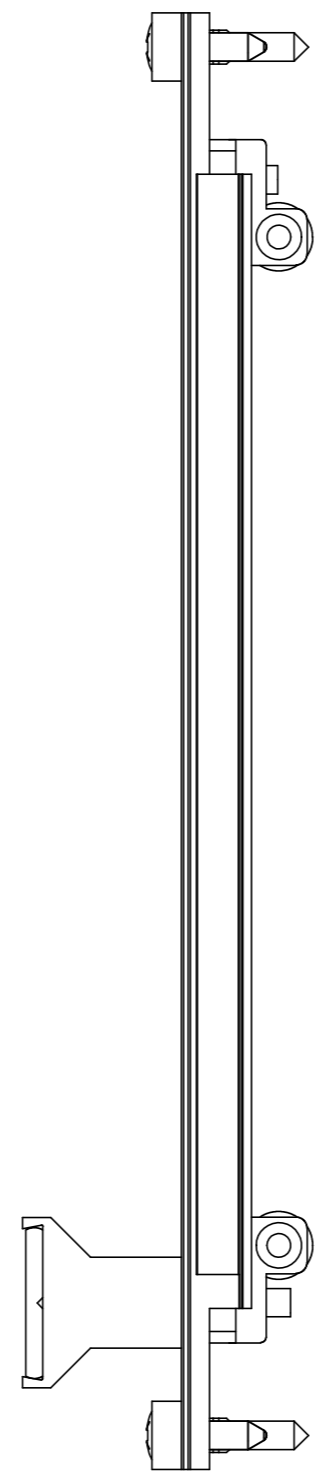
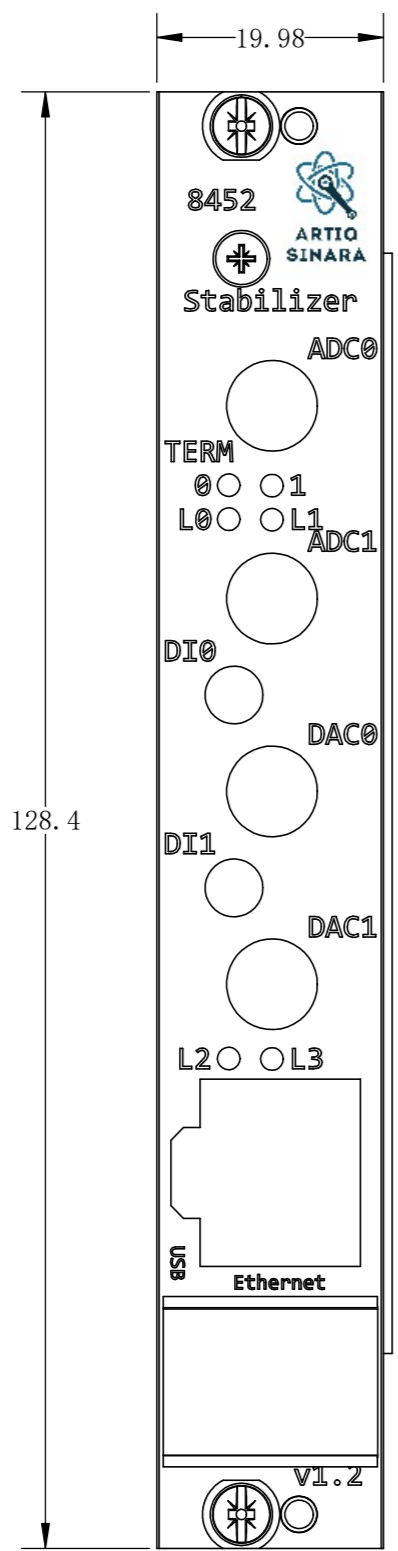


REVISION HISTORY - ALL SHEETS ARE THE SAME REV STATUS			
REV	ZONE	REVISION DESCRIPTION	ECN CODE
A		INITIAL RELEASED	



INDEX	PART NUMBER	QTY	DESCRIPTION	Note
9	3207075	0.01	SCR M2.5*12 PAN 100 21101-221	
8	3201099	0.01	SCR M2.5*8 OVL PHL ST NI 100EA	
7	3040138	2	PB HOLDER DIE-CAST	
6	3040012	1	HANDLE 4HP GREY PLASTIC	
5	3033098	0.02	SCREW COLLAR M2.5X12.3(100X)	
4	3010124	0.1	EMC GASKET FABRIC 3U (10PCS)	
3	3010110	0.02	WASHER PLN. M2.7 DIN125(100X)	
2	3001012	2	SCR M2.5*6 PAN PHL NI DIN7985	
1	90506952	1	FP-LYKJ 3U4HP PANEL	

BILL OF MATERIAL				
Project Name: FP		Finish: 前面铝本色阳极氧化 (7~12um厚), 后面无色化学氧化		
Scale: 3:2	Material: NA THK: mm			
Description: SOLIDWORKS				
FP-LYKJ 3U4HP PANEL ASSY				
Drawing Number:		Sh	Pg	THIRD ANGLE PROJECTION
FPPU0304E131M0063		1	1	
REF NO:	MASS (kg)	0.0320	REV	A

Approved by	Date	Name
	2021/2/1	Evan
Designed by	2021/2/1	Dongyang, Li
Drawn by	2021/2/1	Dongyang, Li
Checked by	2021/2/1	Randy

THIS DOCUMENT AND ANY ASSOCIATED DATA
 CONTAINS RESTRICTED INFORMATION.
 THAT IS WENT PROPERTY.
 DO NOT DISCLOSE TO OR REPRODUCE
 FOR OTHERS EXCEPT AS AUTHORIZED BY WENT.

默认线性公差表			
0	< X ≤ 6	±0.1	
6	< X ≤ 30	±0.2	
30	< X ≤ 120	±0.3	
120	< X ≤ 400	±0.5	
400	< X ≤ 1000	±0.8	
1000	< X ≤ 2000	±1.2	
角度公差 ±0.5°			

技术要求:
 1. 尺寸单位为毫米。除非特别标出, 线性尺寸公差为ISO 2768-M
 下面要求除外:
 +/-0.15 定制铣加工开孔特征距离参考轮廓
 +/-0.1 任意开孔之间的距离
 +/-0.1 开孔尺寸
 形位公差参考 ISO 2768-K;
 2. 清除毛刺和锐利边;
 3. 所有标出尺寸仅为制造, 组装和检验。几何形状特征以CAD文件为准;
 4. 所有工艺过程和原材料应符合RoHS。