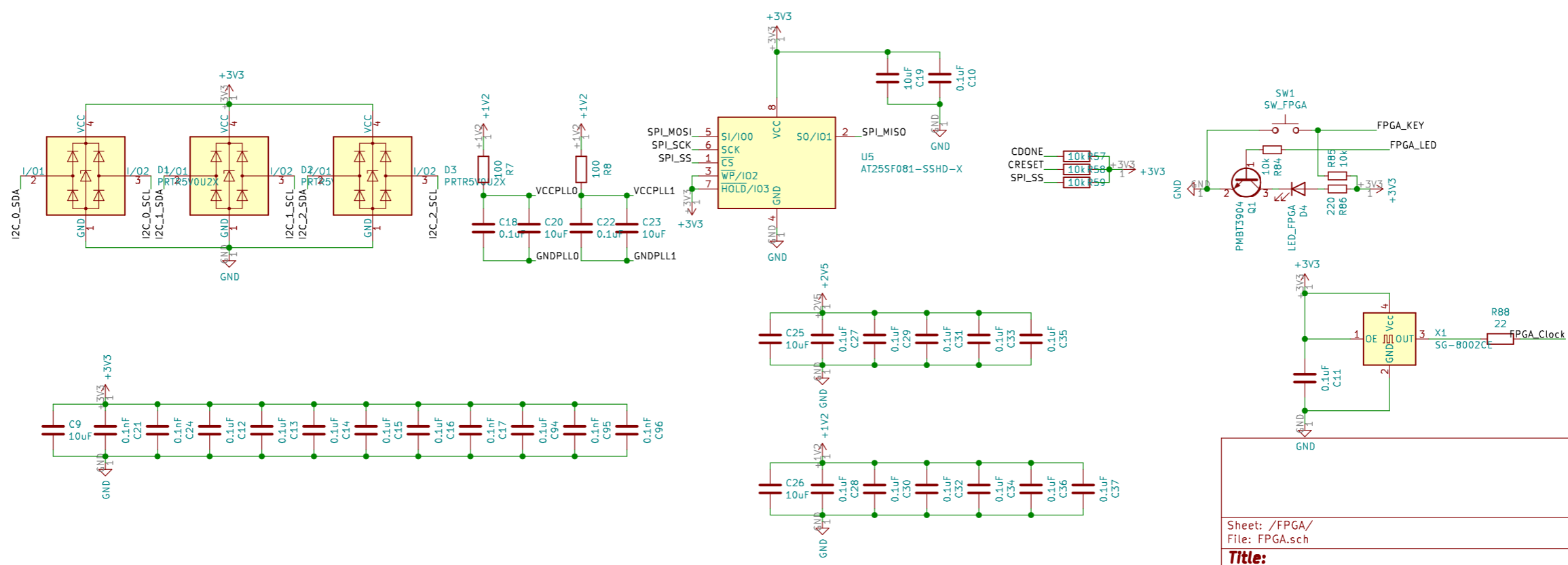
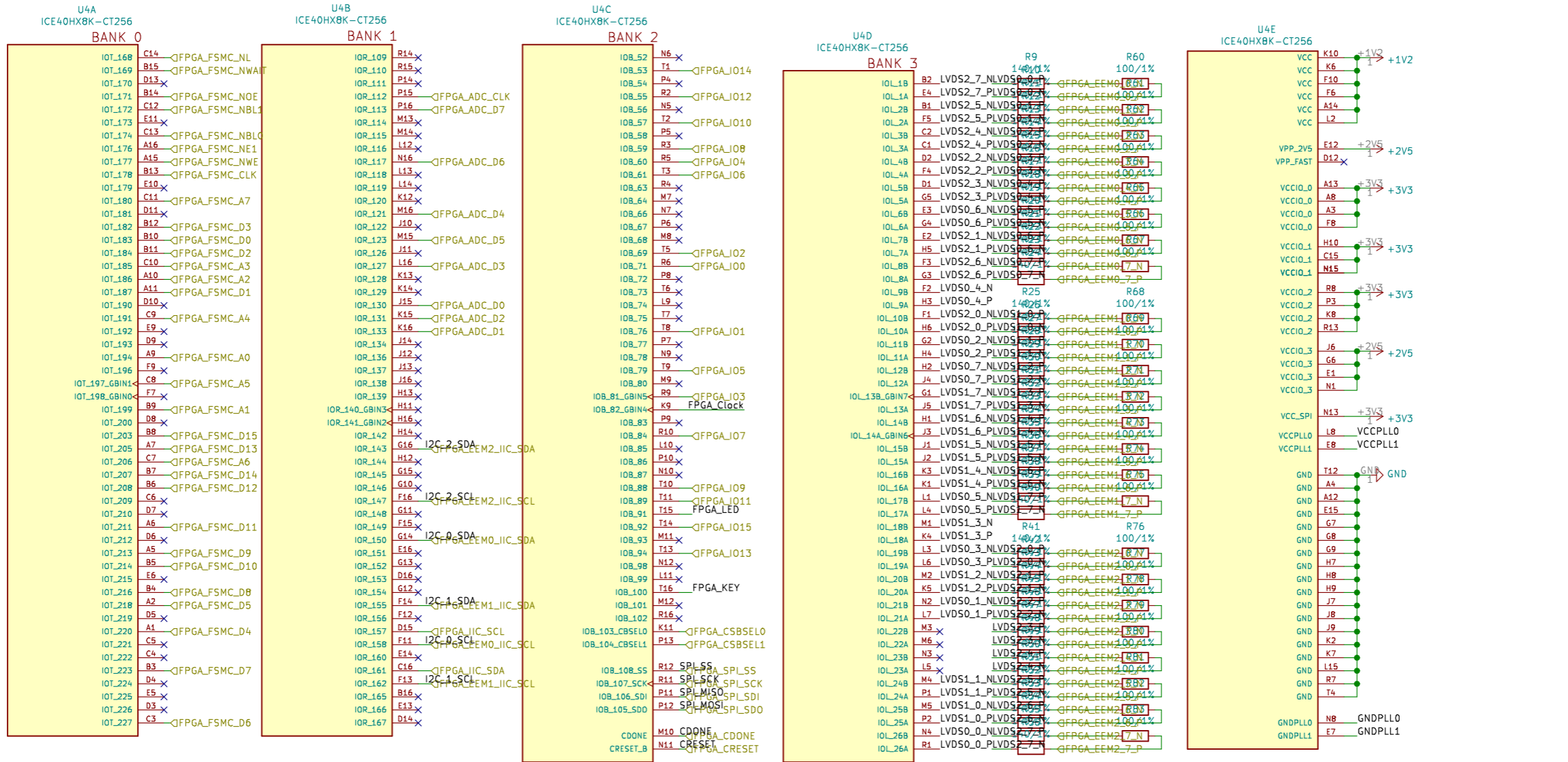


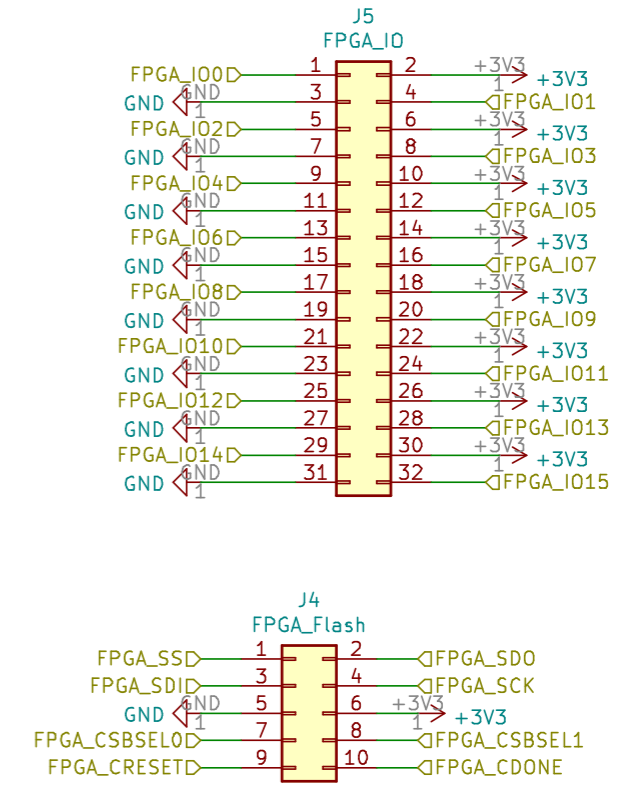
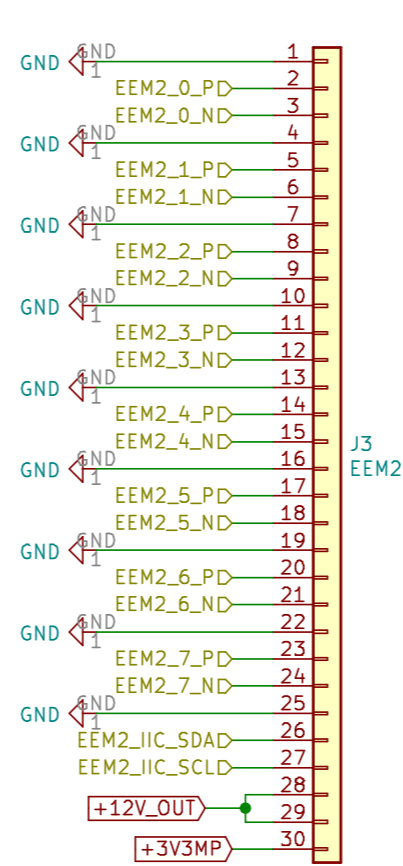
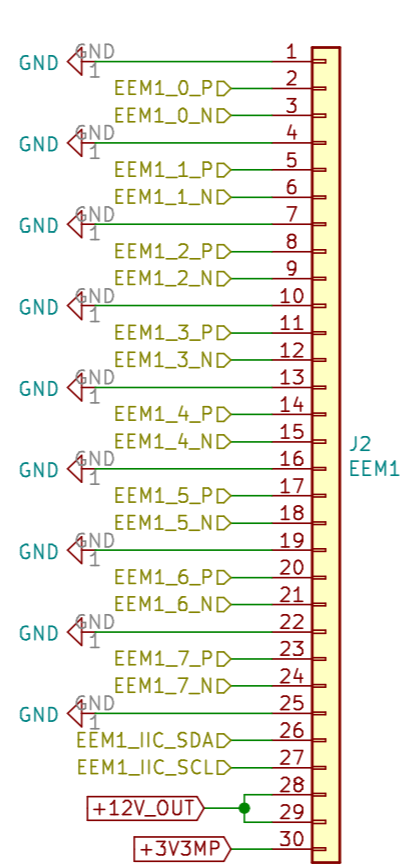
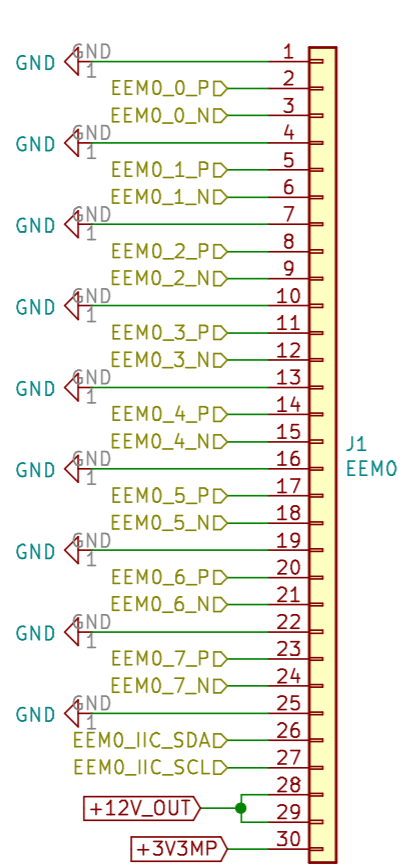
Sheet: /HighSpeedADC/
 File: HighSpeedADC.sch

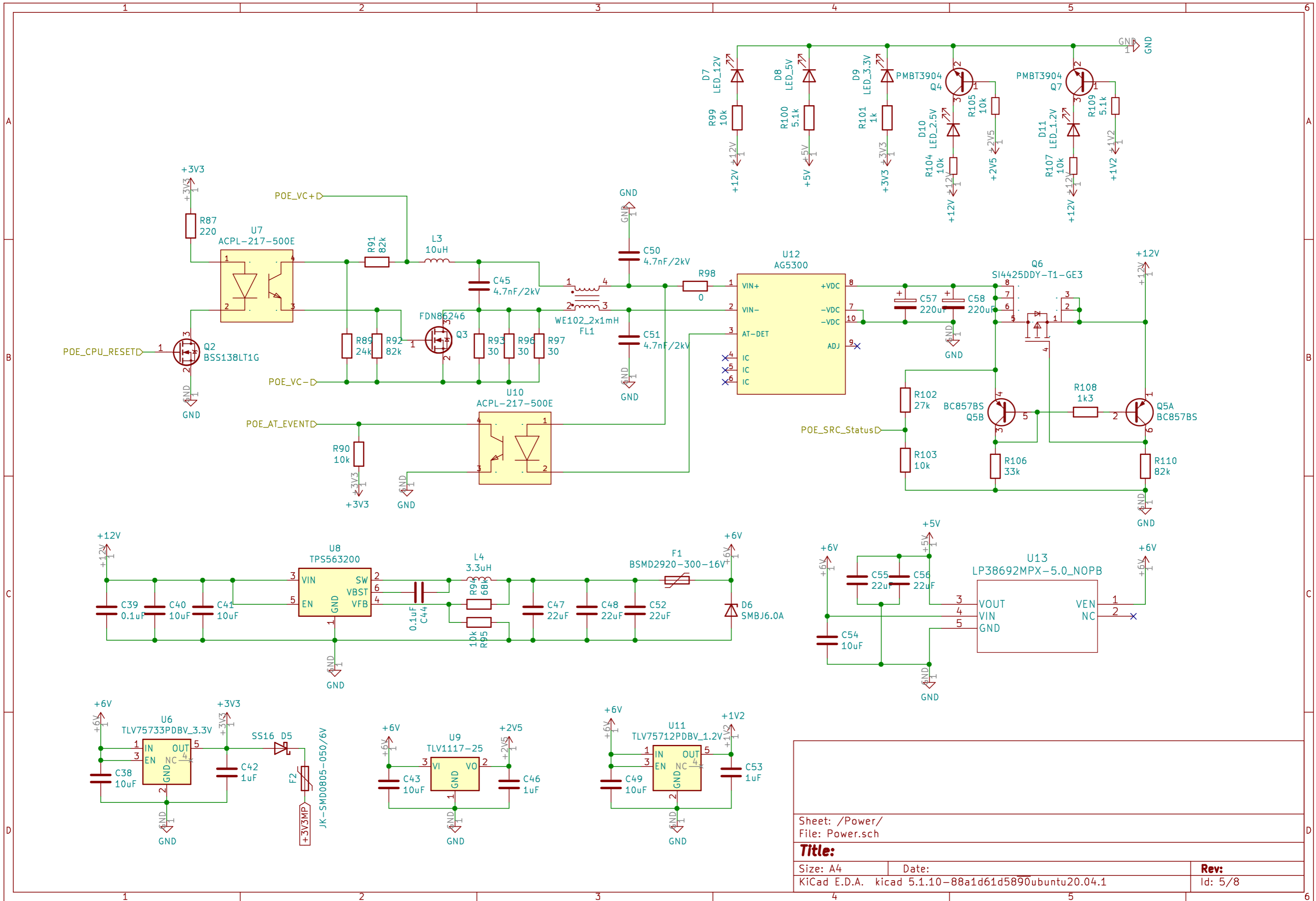
Title:

Size: A4 Date:
 KiCad E.D.A. kicad 5.1.10-88a1d61d5890ubuntu20.04.1

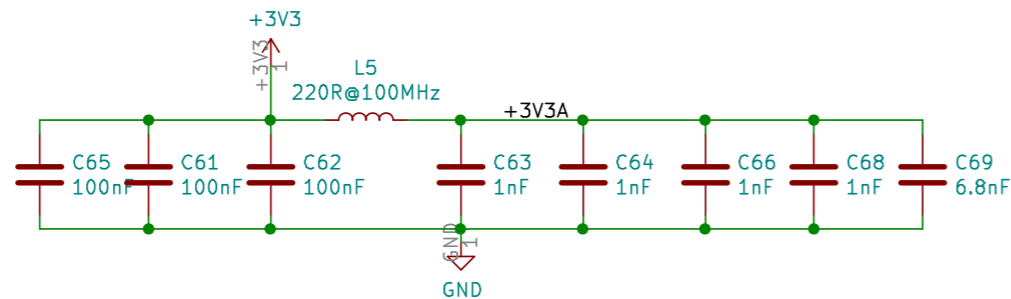
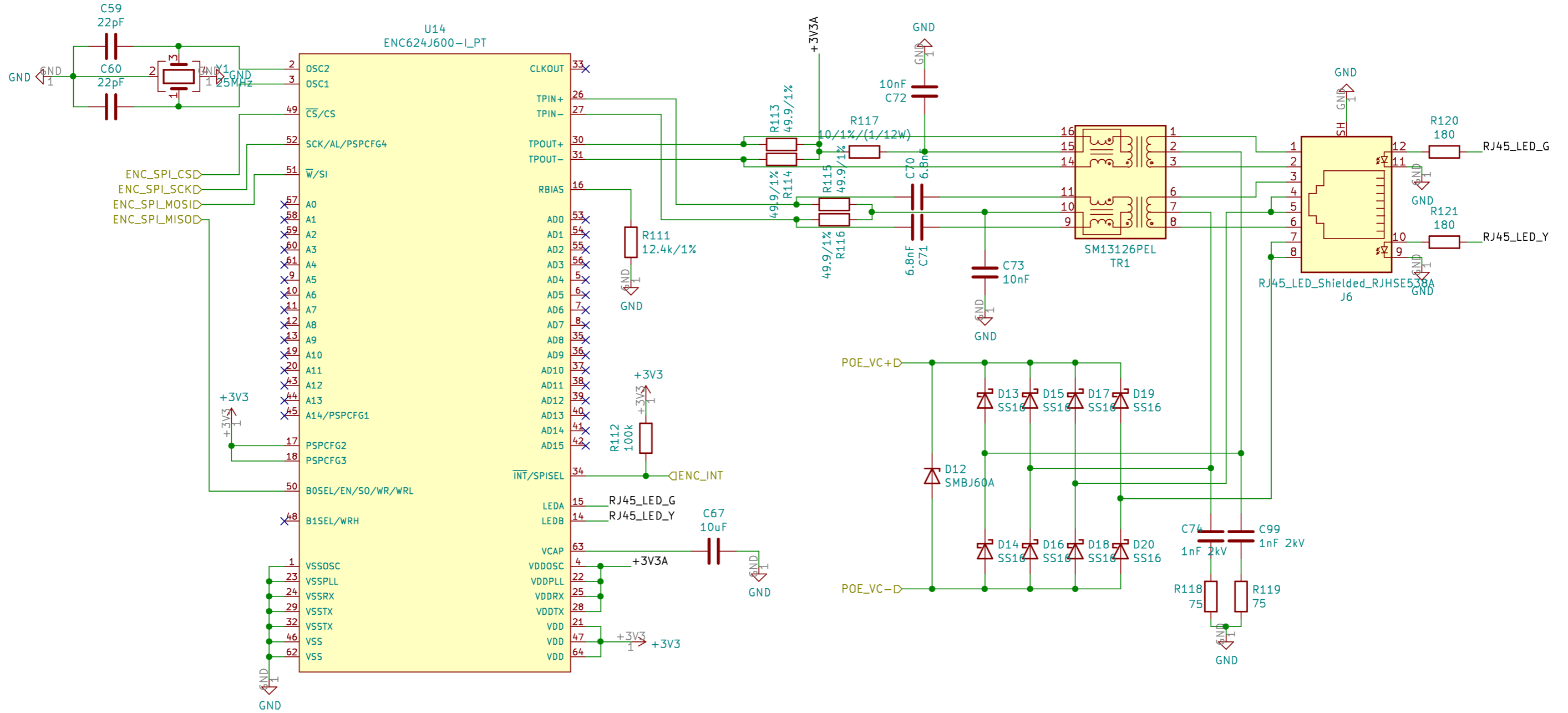
Rev:
 Id: 2/8







Sheet: /Power/		File: Power.sch	
Title:			
Size: A4	Date:	Rev:	
KiCad E.D.A. kicad 5.1.10-88a1d61d5890ubuntu20.04.1			Id: 5/8

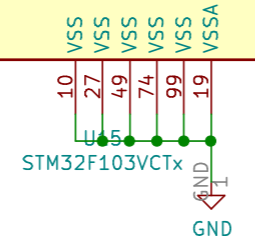
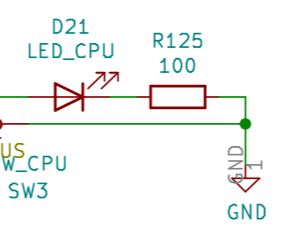
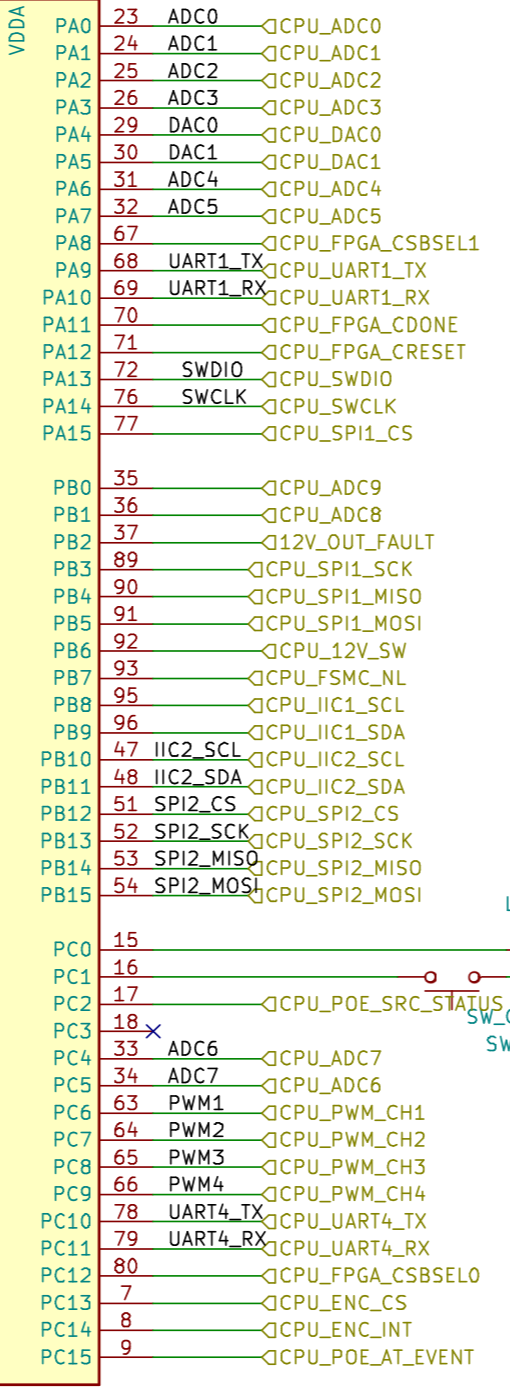
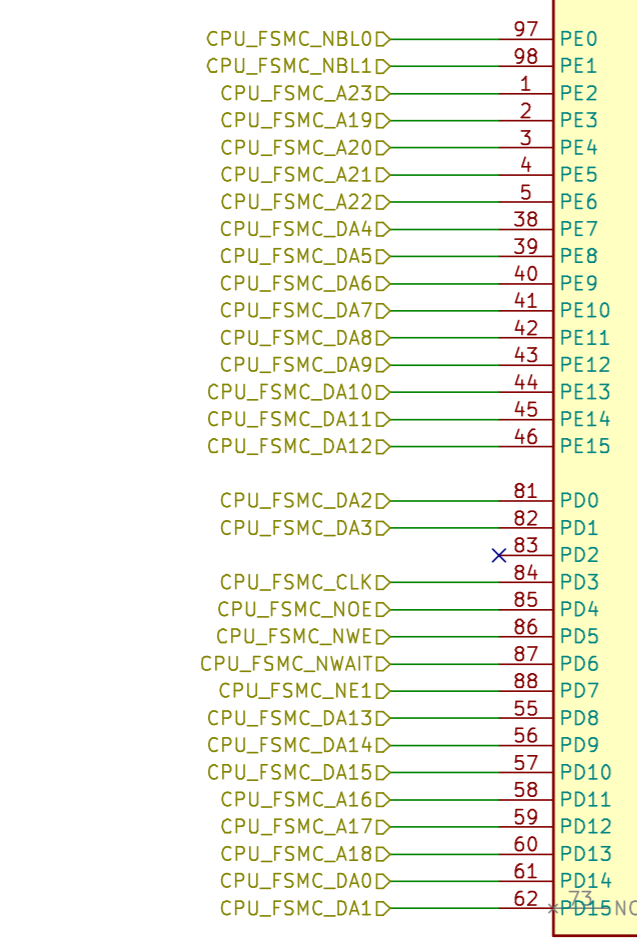
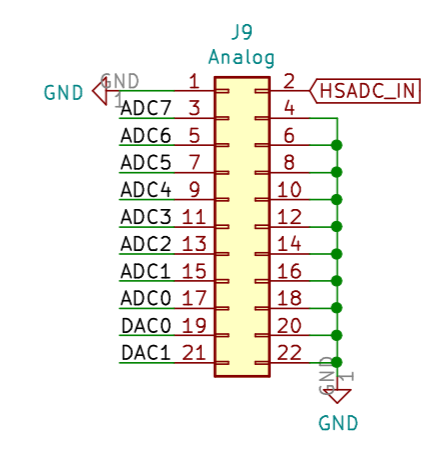
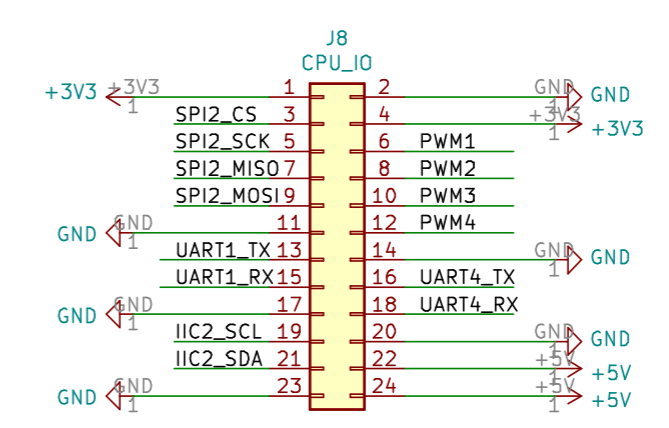
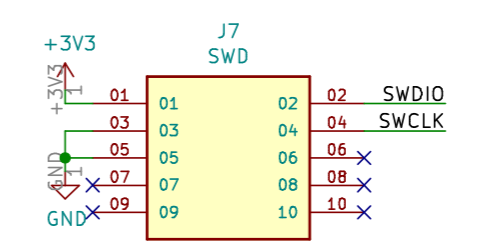
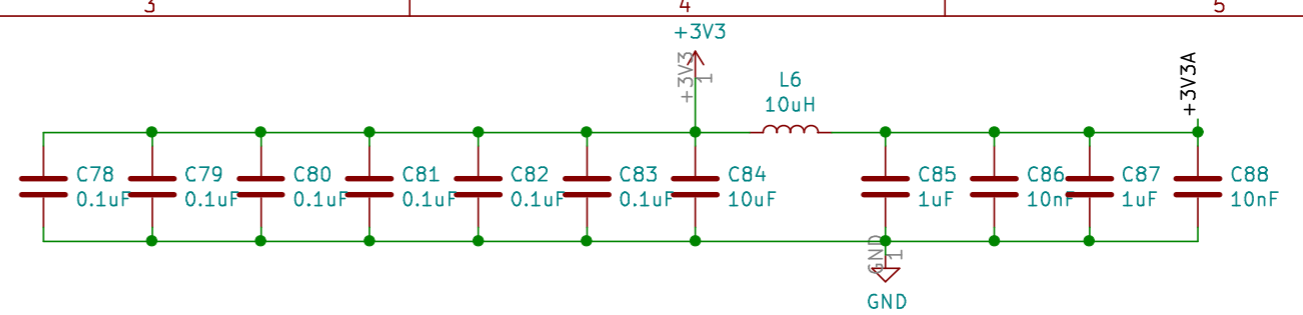
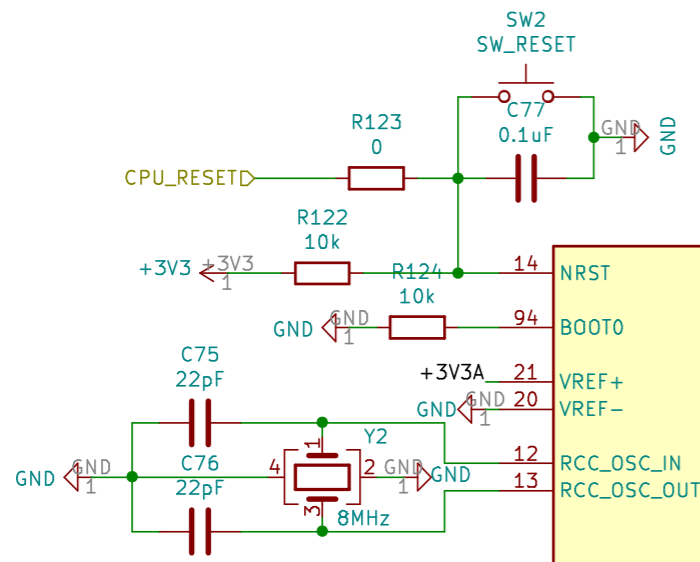


Sheet: /Ethernet/
File: Ethernet.sch

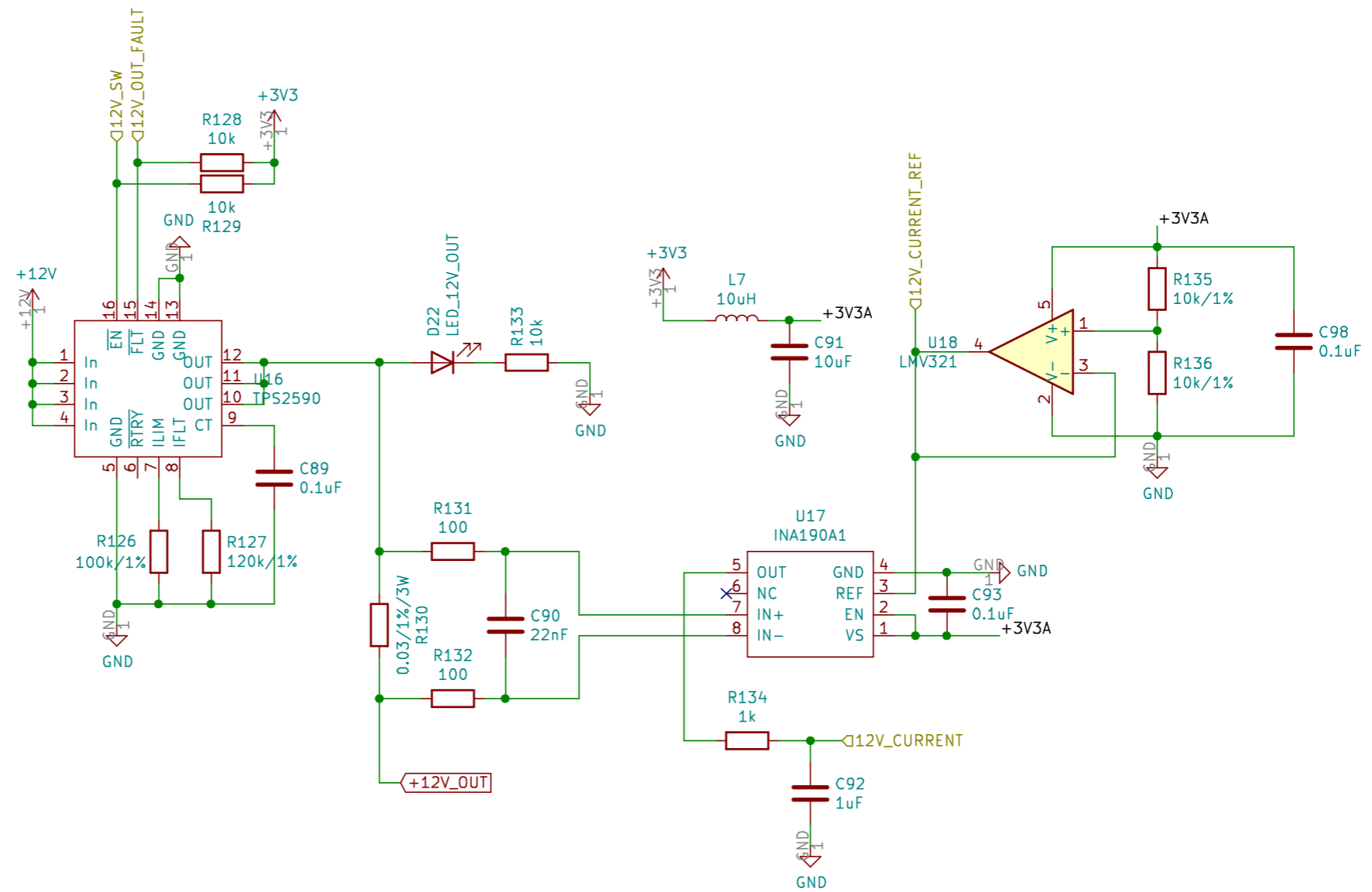
Title:

Size: A4 Date:
KiCad E.D.A. kicad 5.1.10-88a1d61d5890ubuntu20.04.1

Rev:
Id: 6/8



Sheet: /MCU/		File: MCU.sch	
Title:			
Size: A4	Date:	Rev:	
KiCad E.D.A. kicad 5.1.10-88a1d61d5890ubuntu20.04.1			Id: 7/8



Sheet: /CurrentSenser/
 File: CurrentSenser.sch

Title:

Size: A4

Date:

Rev:

KiCad E.D.A. kicad 5.1.10-88a1d61d5890ubuntu20.04.1

Id: 8/8