

Sheet: /HighSpeedADC/
 File: HighSpeedADC.sch

Title:

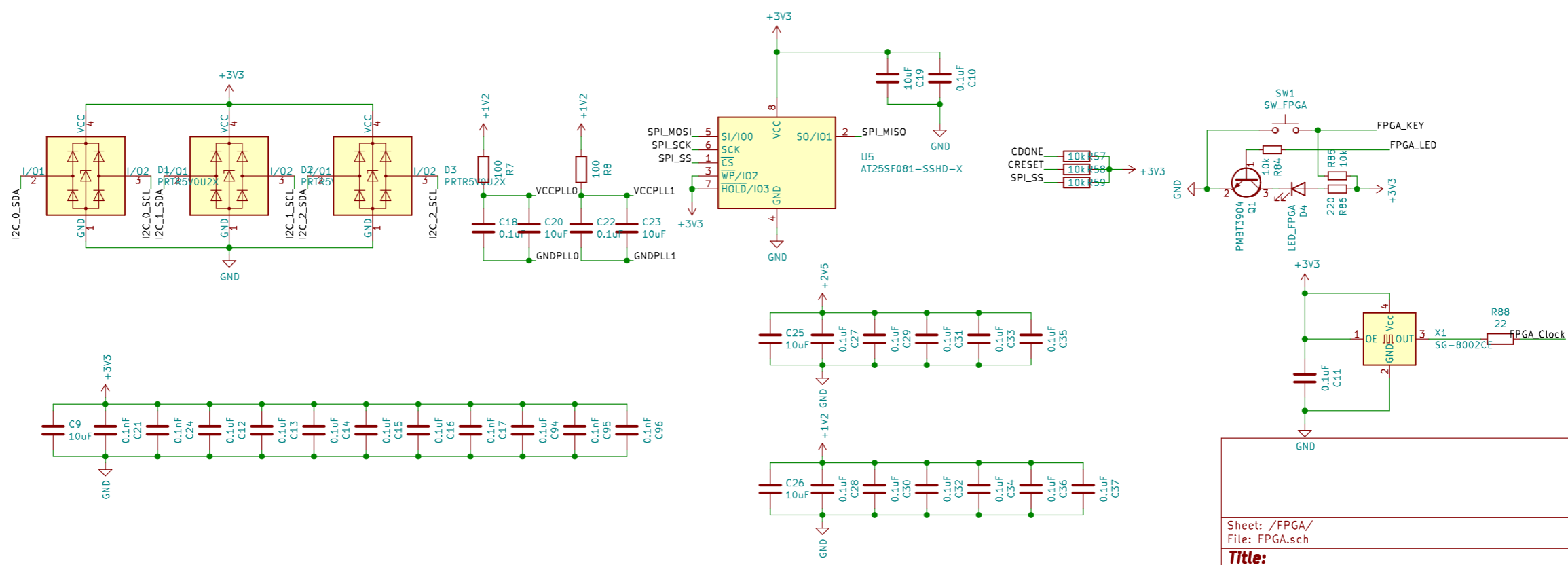
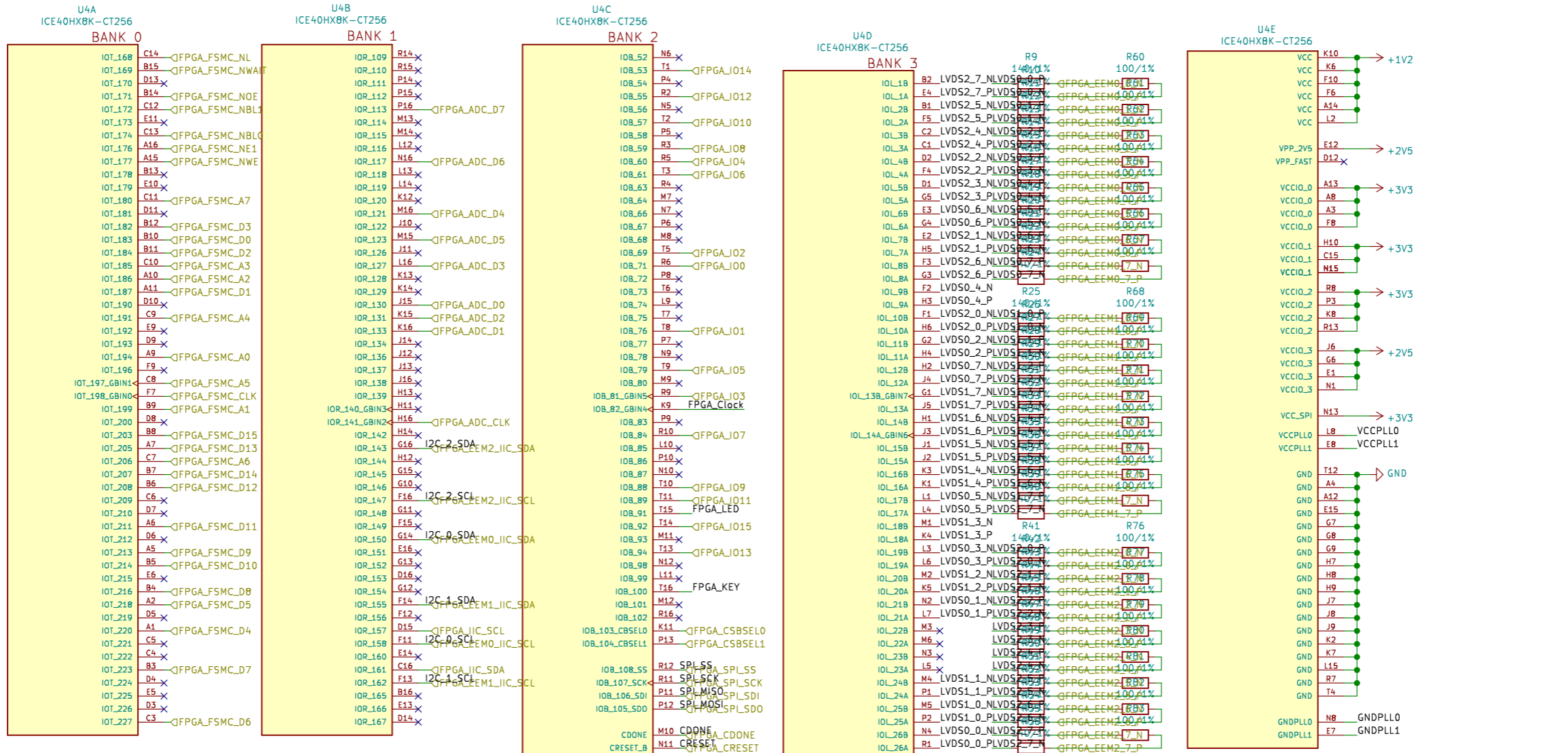
Size: A4

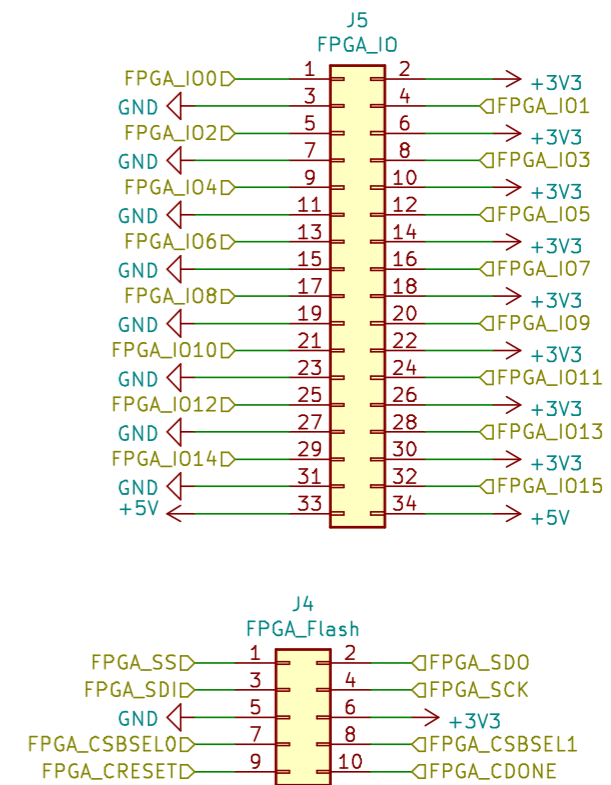
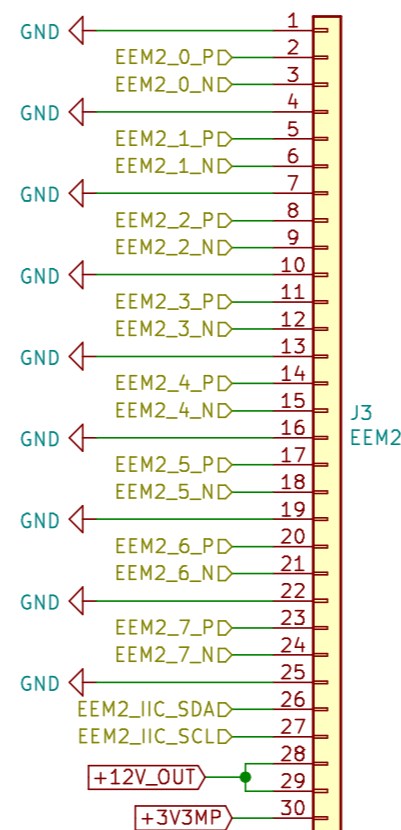
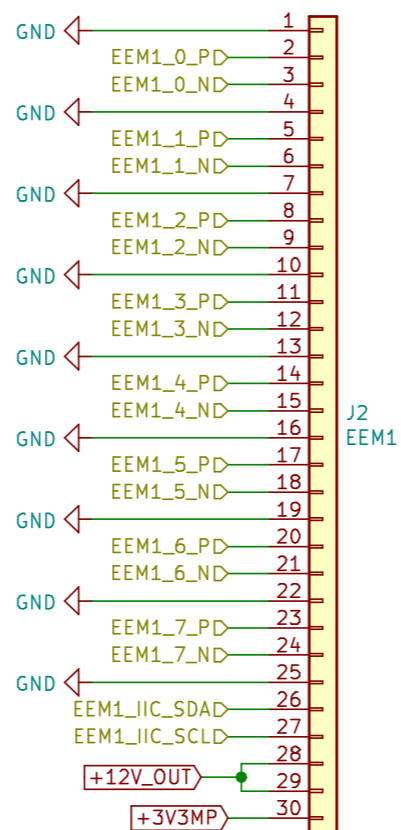
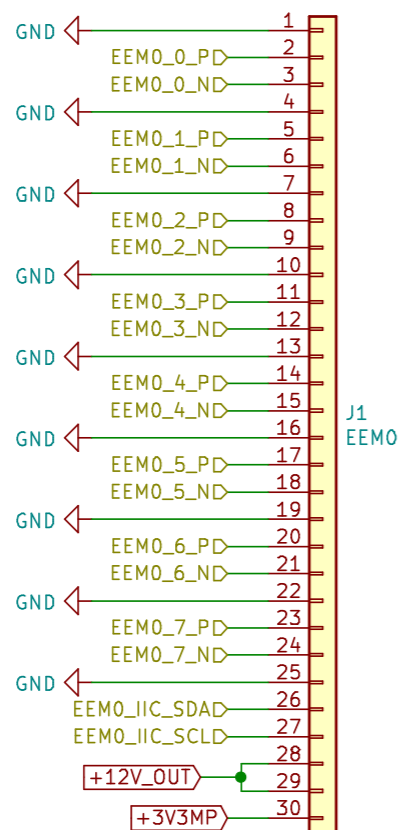
Date:

Rev:

KiCad E.D.A. kicad 5.1.12-84ad8e8a8692ubuntu20.04.1

Id: 2/8





Sheet: /LVDS_IO/
File: LVDS_IO.sch

Title:

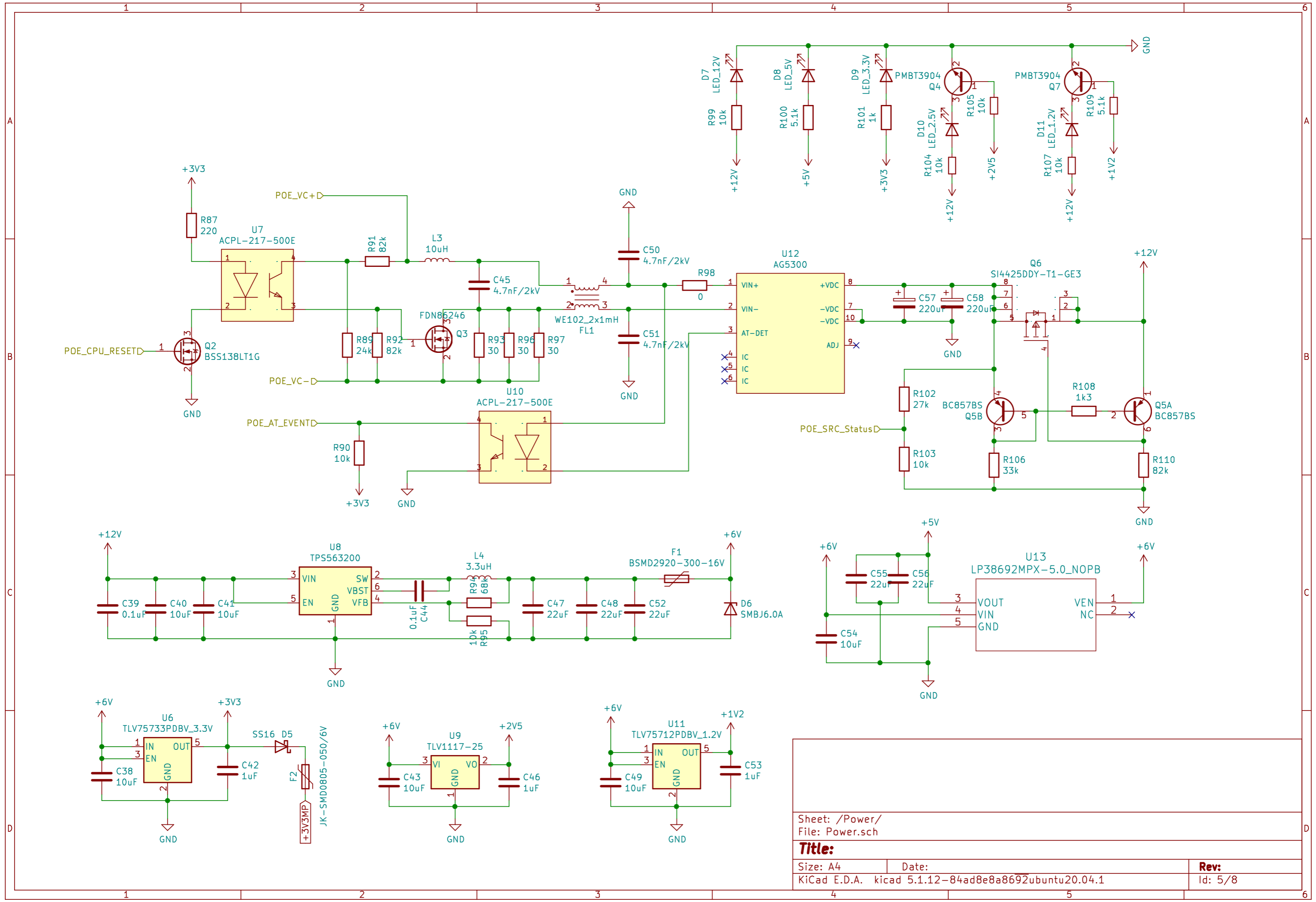
Size: A4

Date:

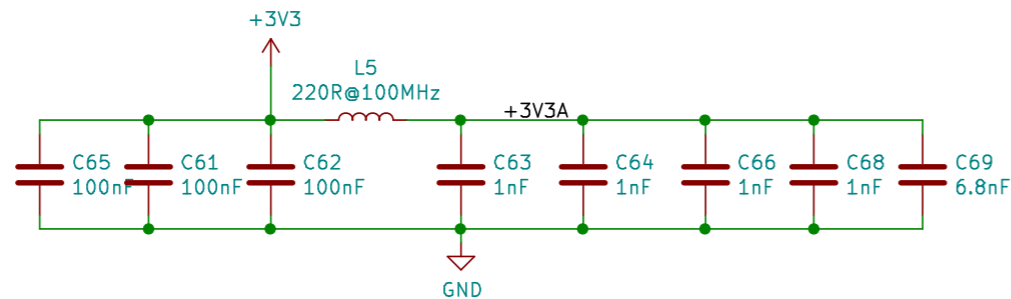
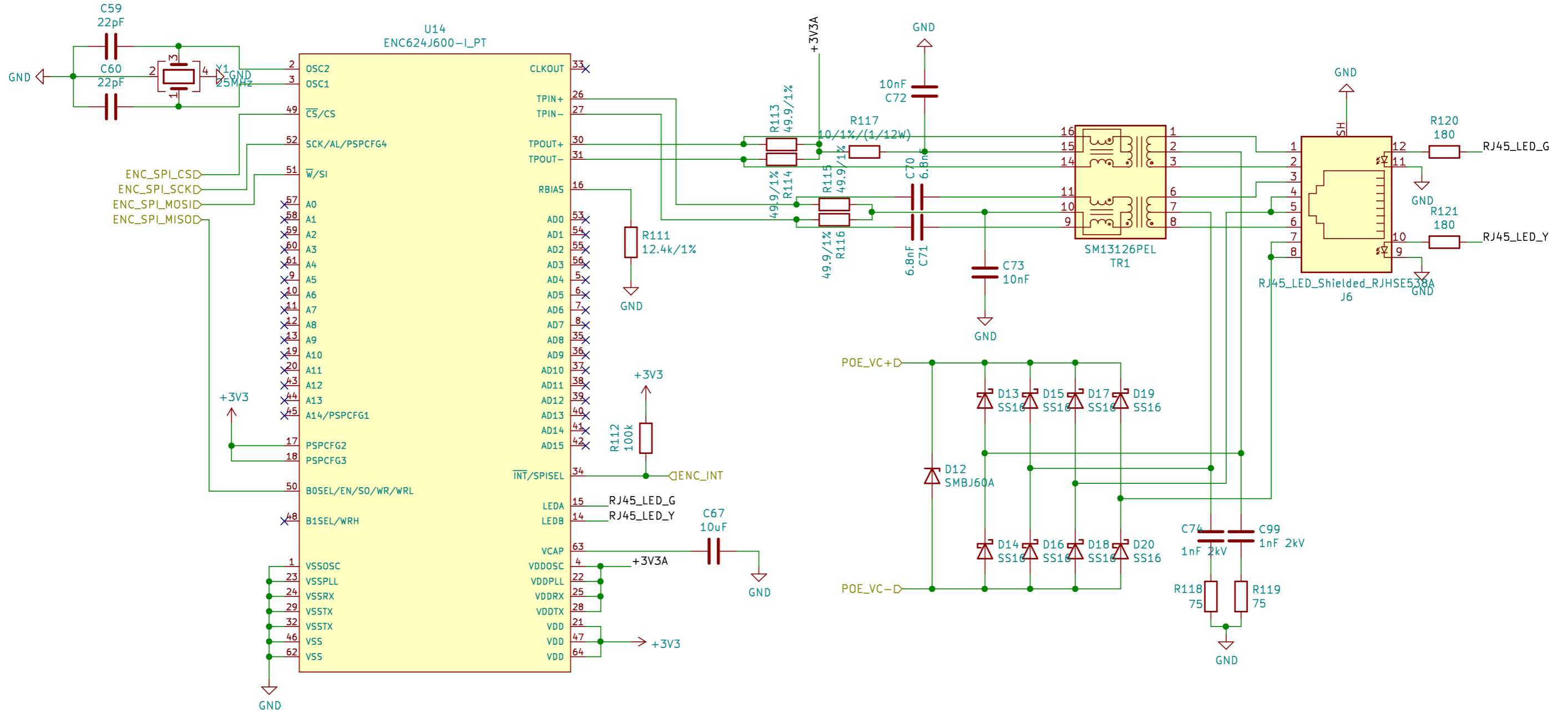
KiCad E.D.A. kicad 5.1.12-84ad8e8a8692ubuntu20.04.1

Rev:

Id: 4/8



Sheet: /Power/		File: Power.sch	
Title:			
Size: A4	Date:	Rev:	
KiCad E.D.A. kicad 5.1.12-84ad8e8a8692ubuntu20.04.1			Id: 5/8

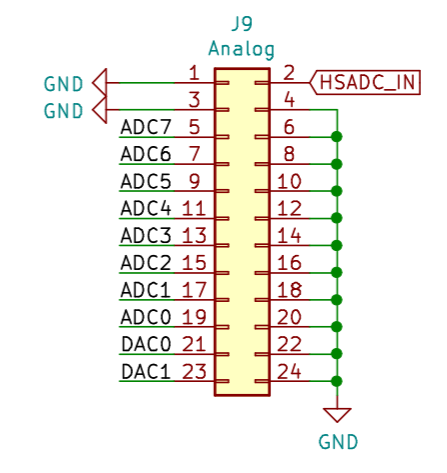
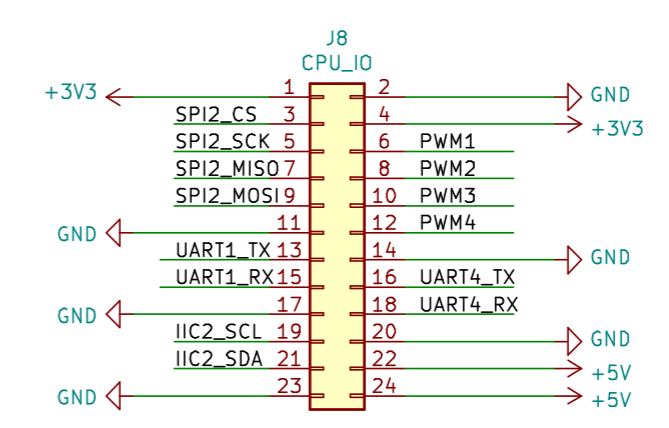
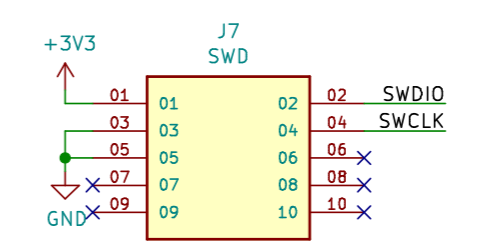
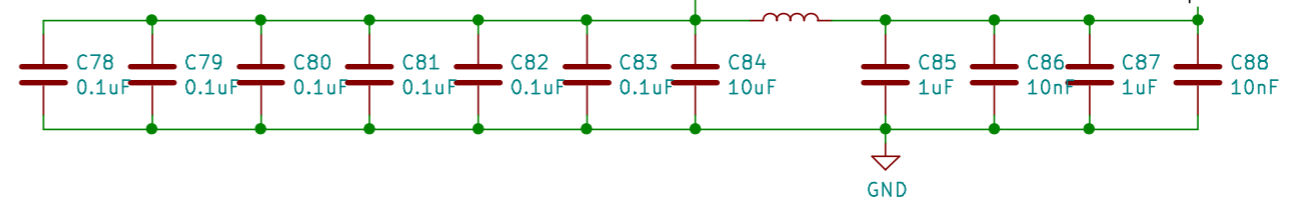
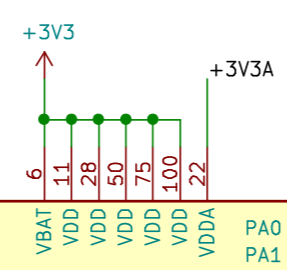
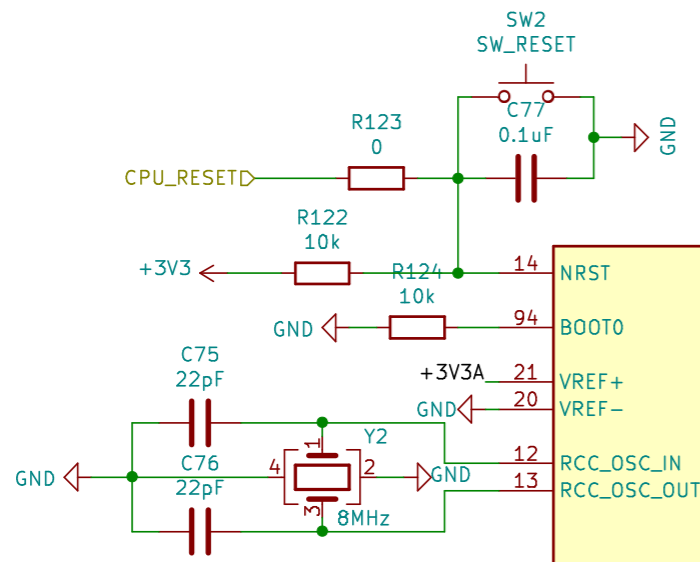


Sheet: /Ethernet/
File: Ethernet.sch

Title:

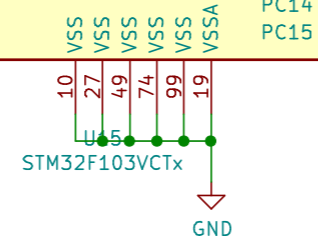
Size: A4 Date: KiCad E.D.A. kicad 5.1.12-84ad8e8a8692ubuntu20.04.1

Rev:
Id: 6/8

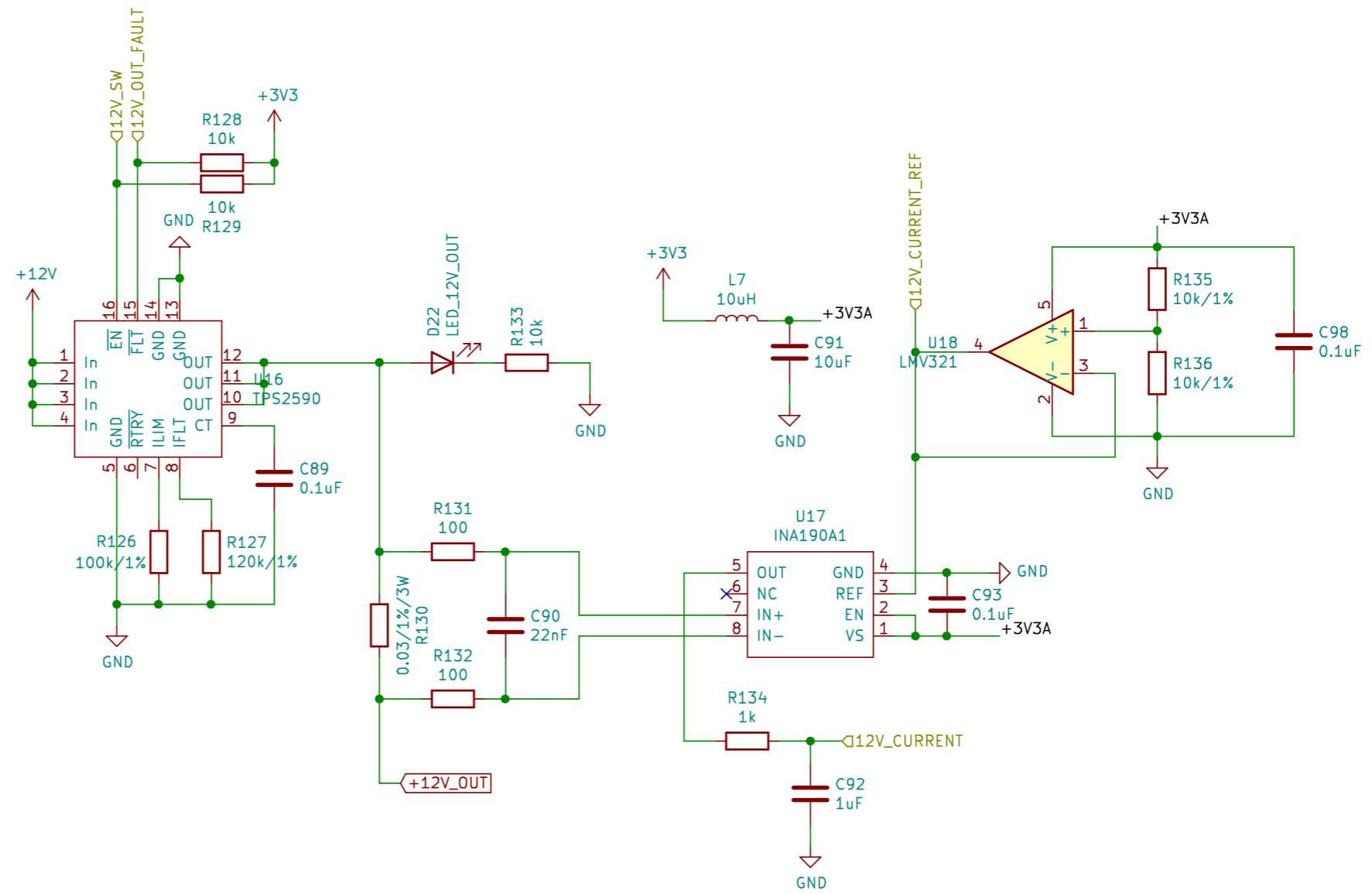


CPU_FSMC_NBL0D	97	PE0
CPU_FSMC_NBL1D	98	PE1
CPU_FSMC_A23D	1	PE2
CPU_FSMC_A19D	2	PE3
CPU_FSMC_A20D	3	PE4
CPU_FSMC_A21D	4	PE5
CPU_FSMC_A22D	5	PE6
CPU_FSMC_DA4D	38	PE7
CPU_FSMC_DA5D	39	PE8
CPU_FSMC_DA6D	40	PE9
CPU_FSMC_DA7D	41	PE10
CPU_FSMC_DA8D	42	PE11
CPU_FSMC_DA9D	43	PE12
CPU_FSMC_DA10D	44	PE13
CPU_FSMC_DA11D	45	PE14
CPU_FSMC_DA12D	46	PE15
CPU_FSMC_DA2D	81	PD0
CPU_FSMC_DA3D	82	PD1
CPU_FSMC_CLKD	84	PD3
CPU_FSMC_NOED	85	PD4
CPU_FSMC_NWED	86	PD5
CPU_FSMC_NWAITD	87	PD6
CPU_FSMC_NE1D	88	PD7
CPU_FSMC_DA13D	55	PD8
CPU_FSMC_DA14D	56	PD9
CPU_FSMC_DA15D	57	PD10
CPU_FSMC_A16D	58	PD11
CPU_FSMC_A17D	59	PD12
CPU_FSMC_A18D	60	PD13
CPU_FSMC_DA0D	61	PD14
CPU_FSMC_DA1D	62	PD15

PA0	23	ADC0	CPU_ADC0
PA1	24	ADC1	CPU_ADC1
PA2	25	ADC2	CPU_ADC2
PA3	26	ADC3	CPU_ADC3
PA4	29	DAC0	CPU_DAC0
PA5	30	DAC1	CPU_DAC1
PA6	31	ADC4	CPU_ADC4
PA7	32	ADC5	CPU_ADC5
PA8	67	CPU_FPGA_CSBSSEL1	
PA9	68	UART1_TX	CPU_UART1_TX
PA10	69	UART1_RX	CPU_UART1_RX
PA11	70	CPU_FPGA_CDONE	
PA12	71	CPU_FPGA_CRESET	
PA13	72	SWDIO	CPU_SWDIO
PA14	76	SWCLK	CPU_SWCLK
PA15	77	CPU_SPI1_CS	
PB0	35	CPU_ADC9	
PB1	36	CPU_ADC8	
PB2	37	12V_OUT_FAULT	
PB3	89	CPU_SPI1_SCK	
PB4	90	CPU_SPI1_MISO	
PB5	91	CPU_SPI1_MOSI	
PB6	92	CPU_12V_SW	
PB7	93	CPU_FSMC_NL	
PB8	95	CPU_IIC1_SCL	
PB9	96	CPU_IIC1_SDA	
PB10	47	IIC2_SCL	CPU_IIC2_SCL
PB11	48	IIC2_SDA	CPU_IIC2_SDA
PB12	51	SPI2_CS	CPU_SPI2_CS
PB13	52	SPI2_SCK	CPU_SPI2_SCK
PB14	53	SPI2_MISO	CPU_SPI2_MISO
PB15	54	SPI2_MOSI	CPU_SPI2_MOSI
PC0	15		
PC1	16		
PC2	17	CPU_POE_SRC_STATUS	
PC3	18		
PC4	33	ADC6	CPU_ADC6
PC5	34	ADC7	CPU_ADC7
PC6	63	PWM1	CPU_PWM_CH1
PC7	64	PWM2	CPU_PWM_CH2
PC8	65	PWM3	CPU_PWM_CH3
PC9	66	PWM4	CPU_PWM_CH4
PC10	78	UART4_TX	CPU_UART4_TX
PC11	79	UART4_RX	CPU_UART4_RX
PC12	80	CPU_FPGA_CSBSSEL0	
PC13	7	CPU_ENC_CS	
PC14	8	CPU_ENC_INT	
PC15	9	CPU_POE_AT_EVENT	



Sheet: /MCU/	
File: MCU.sch	
Title:	
Size: A4	Date:
KiCad E.D.A. kicad 5.1.12-84ad8e8a8692ubuntu20.04.1	
Rev:	Id: 7/8



Sheet: /CurrentSenser/
 File: CurrentSenser.sch

Title:

Size: A4

Date:

Rev:

KiCad E.D.A. kicad 5.1.12-84ad8e8a8692ubuntu20.04.1

Id: 8/8