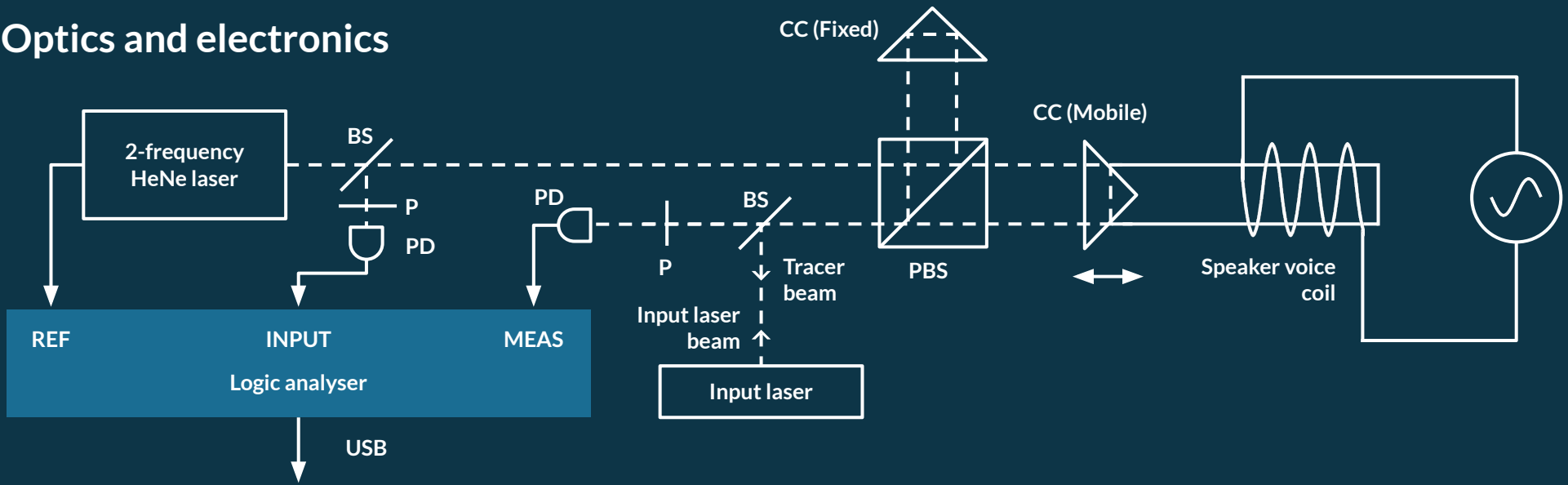


# Optics and electronics



# Software

