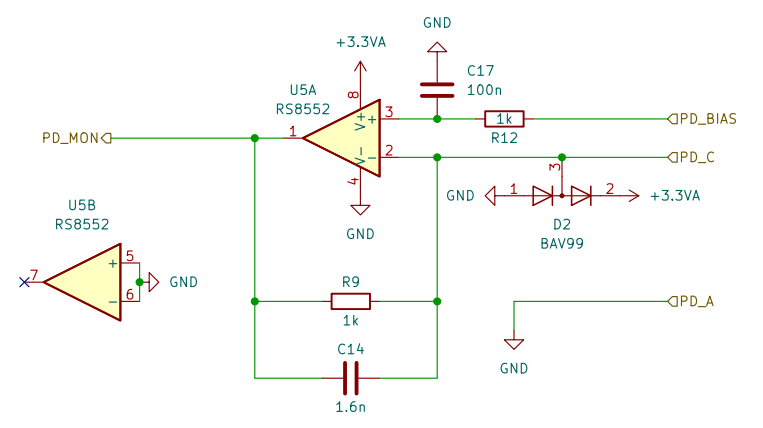
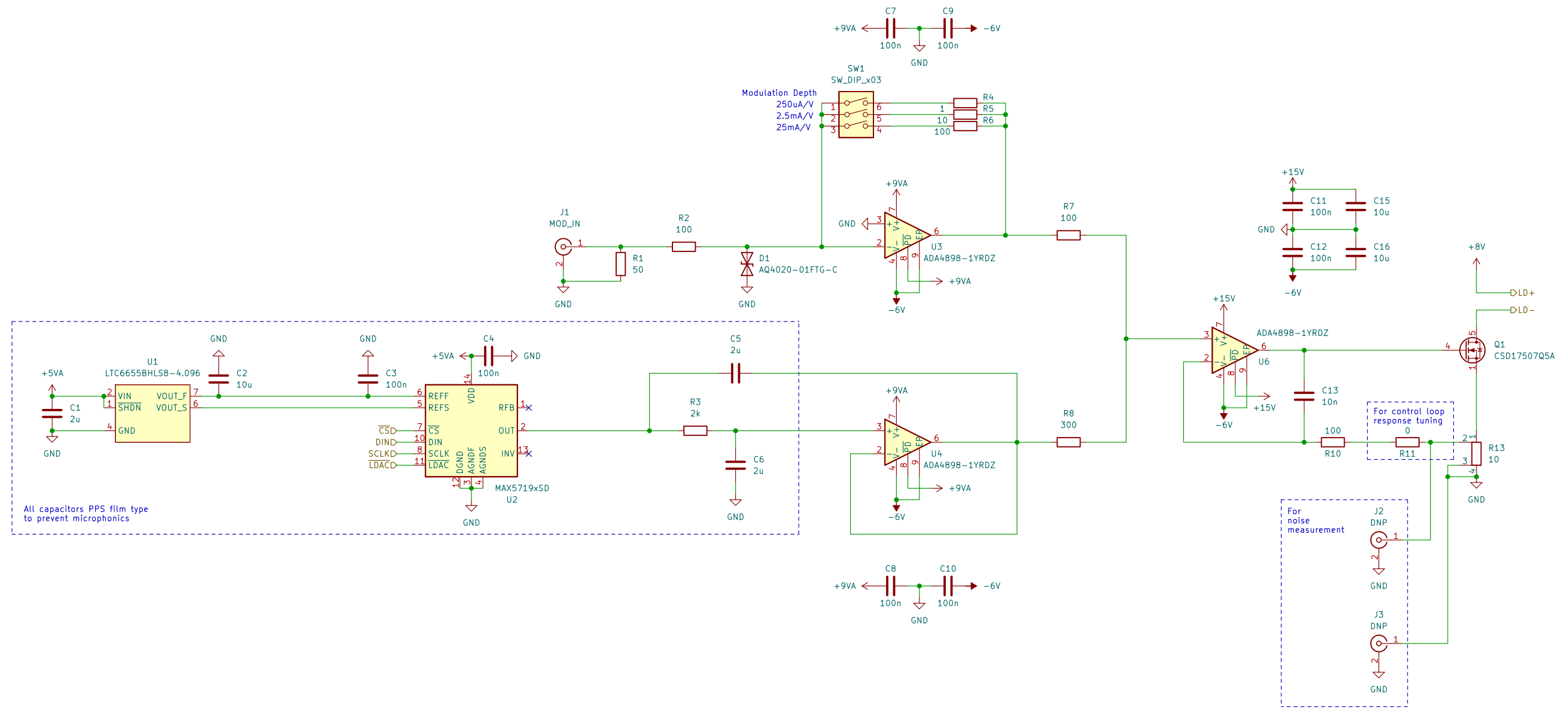


Alex Wong Tat Hang
M-Labs
 Sheet: /
 File: kirdy.kicad_sch

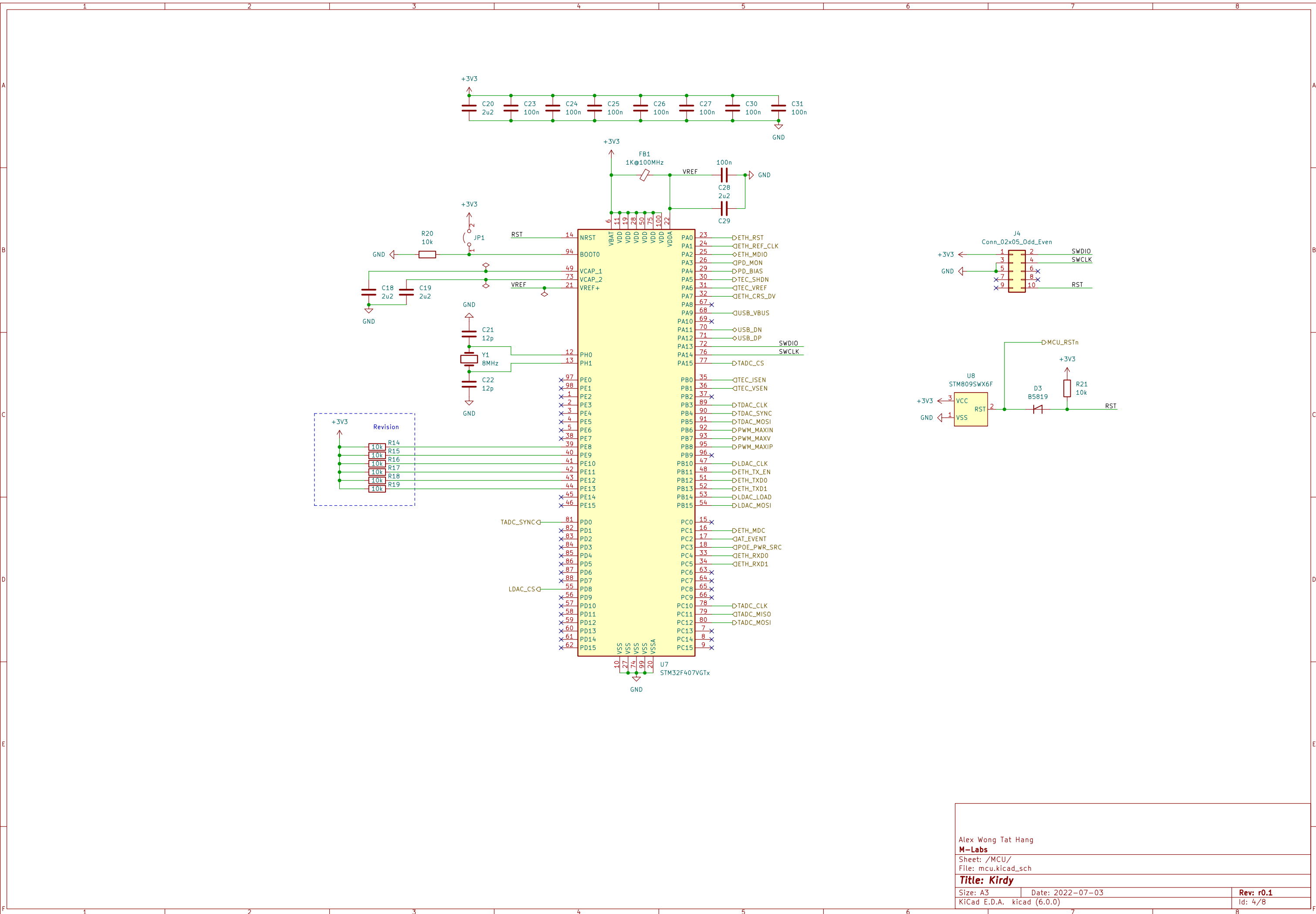
Title: Kirdy

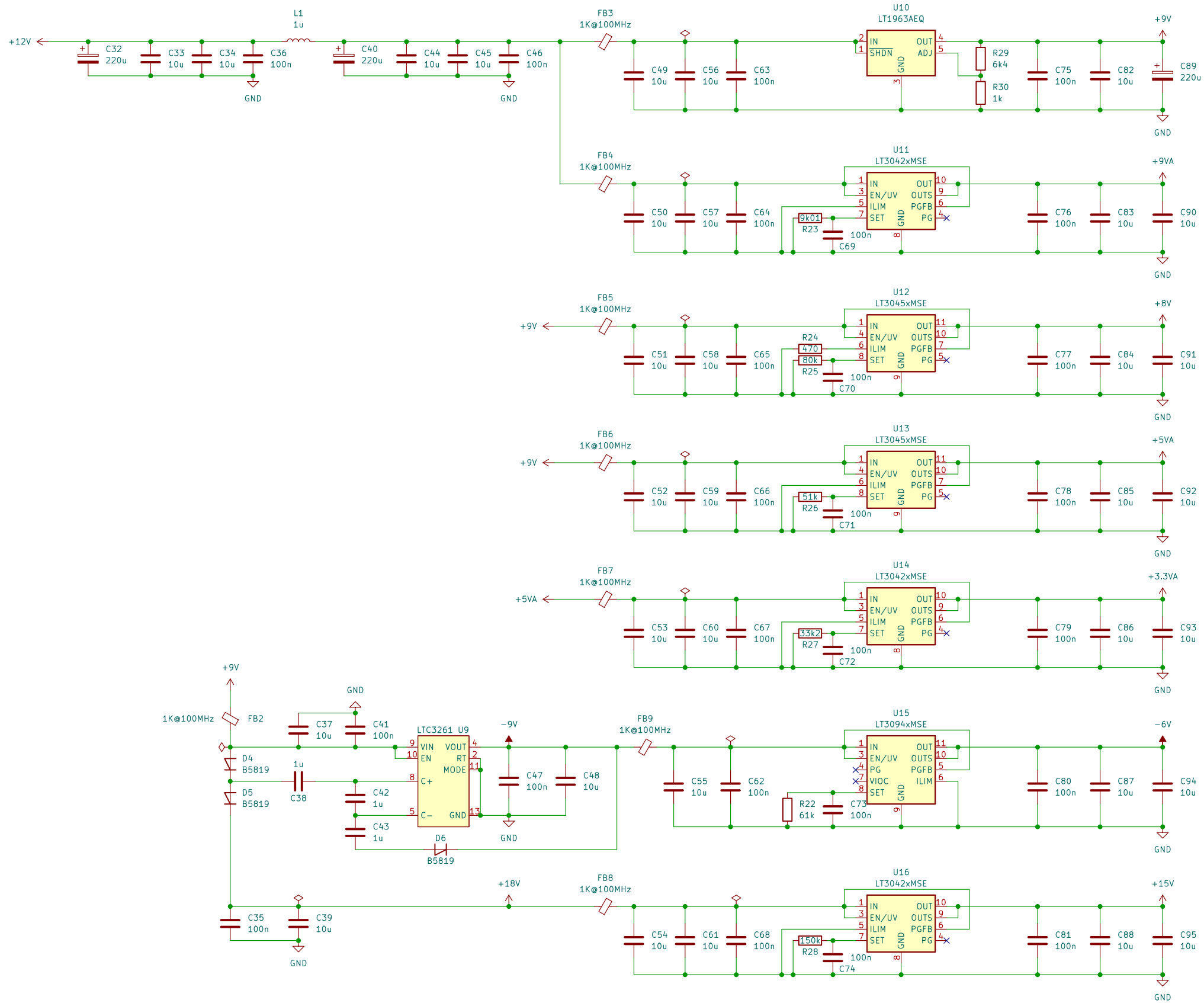
Size: A3 Date: 2022-07-03
 KiCad E.D.A. kicad (6.0.0)

Rev: r0.1
 Id: 1/8



Alex Wong Tat Hang
M-Labs
 Sheet: /driveStage/
 File: driveStage.kicad_sch
Title: Kirdy
 Size: A3 Date: 2022-07-03 Rev: r0.1
 KiCad E.D.A. kicad (6.0.0) Id: 2/8





Alex Wong Tat Hang

M-Labs

Sheet: /analog supply/

File: asupply.kicad_sch

Title: Kirdy

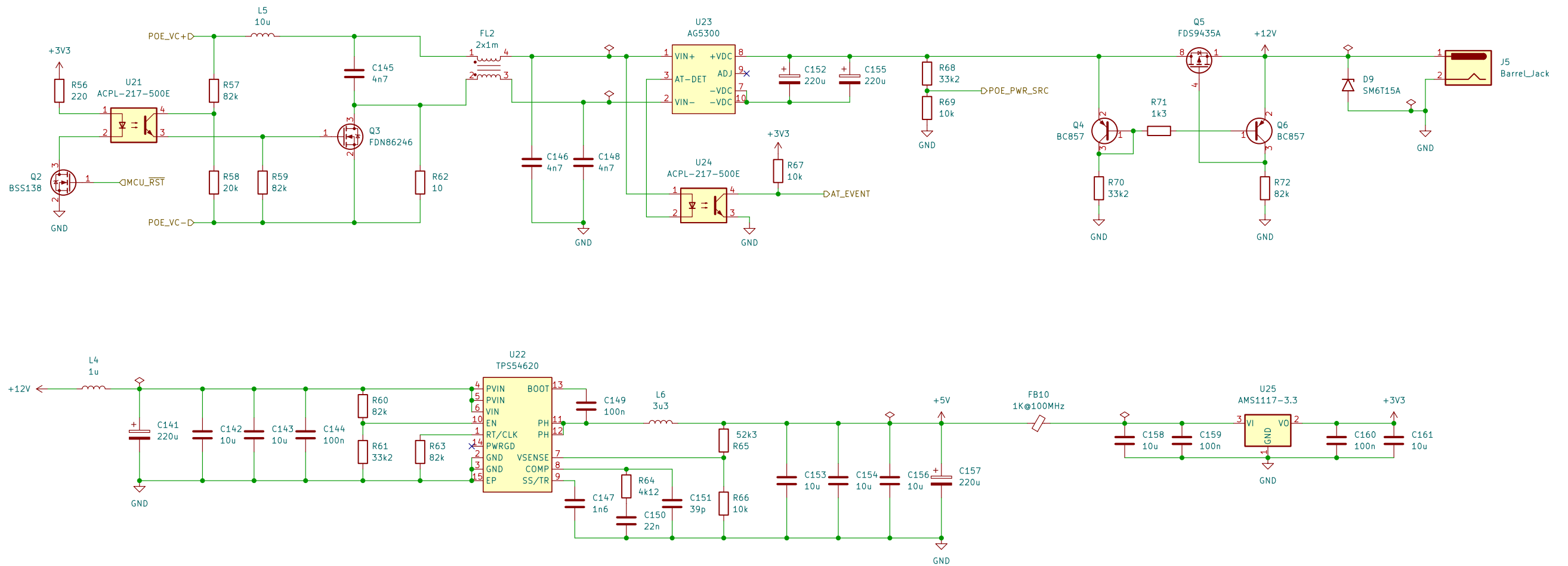
Size: A3

Date: 2022-07-03

Rev: r0.1

KiCad E.D.A. kicad (6.0.0)

Id: 5/8



Alex Wong Tat Hang

M-Labs

Sheet: /digital supply/

File: dsupply.kicad_sch

Title: Kirdy

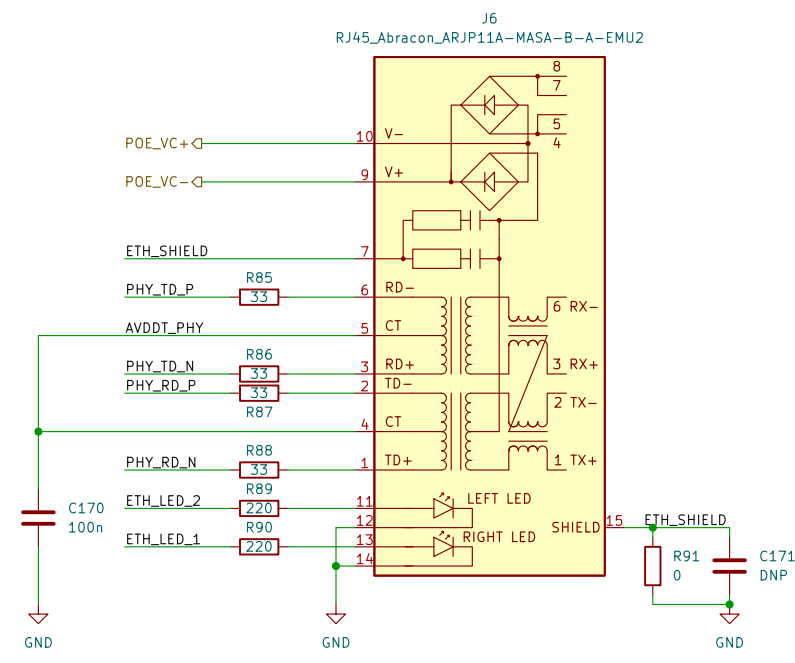
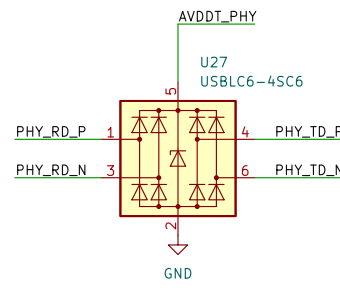
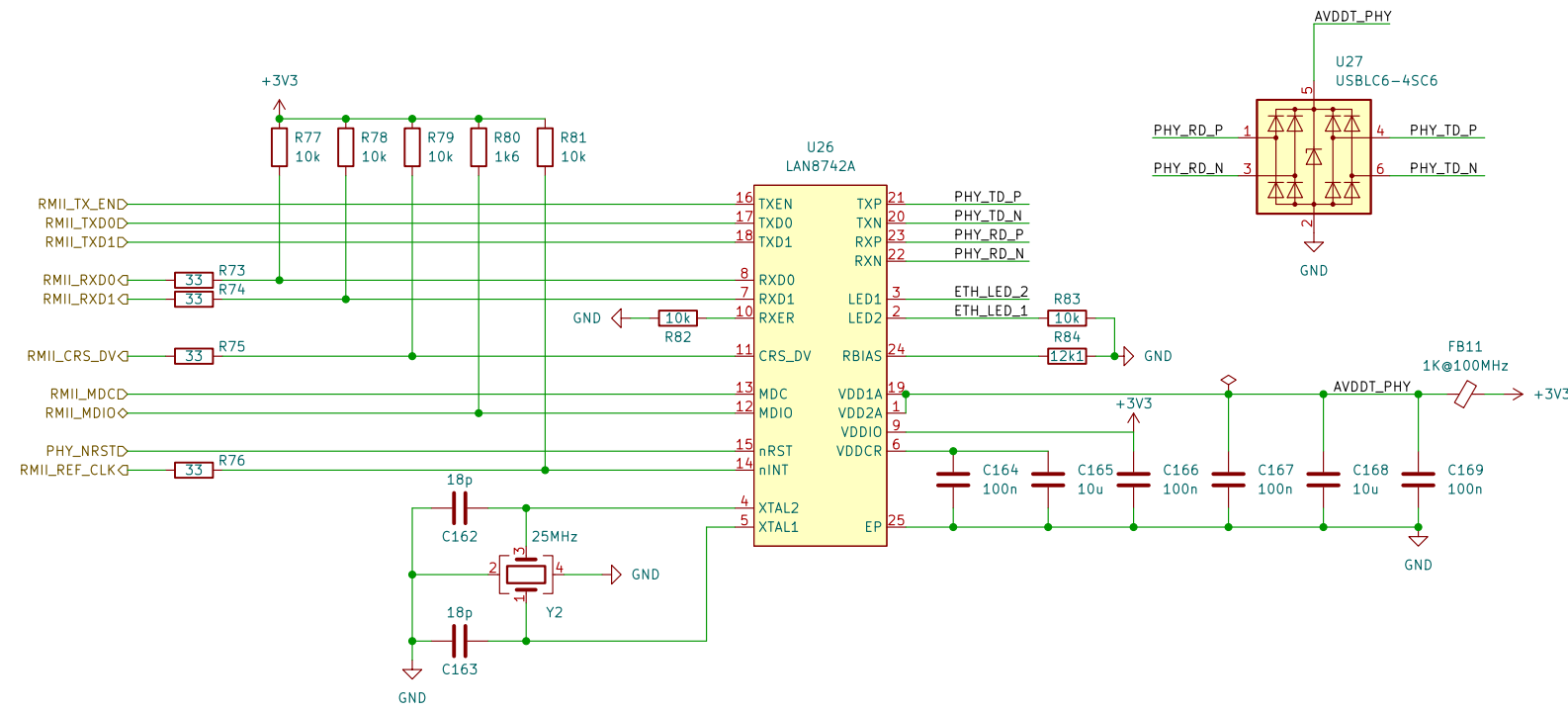
Size: A3

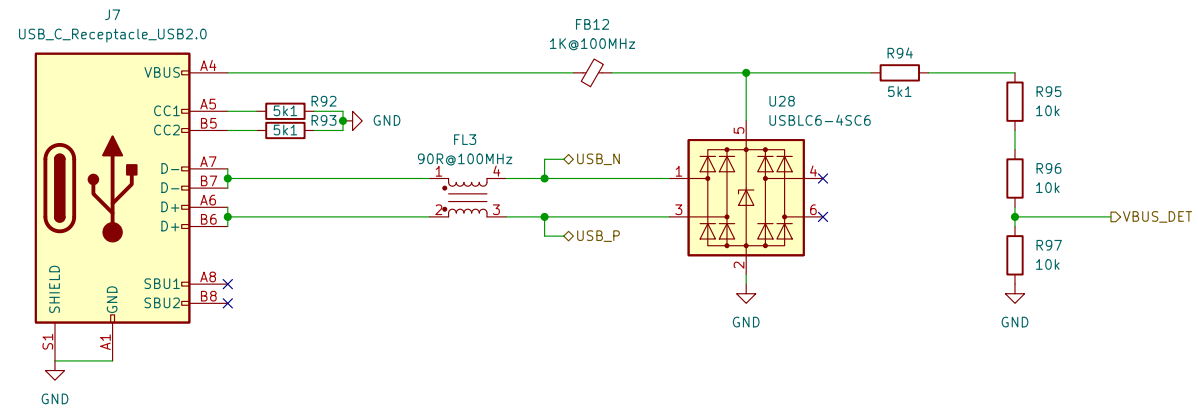
Date: 2022-07-03

Rev: r0.1

KiCad E.D.A. kicad (6.0.0)

Id: 6/8





Alex Wong Tat Hang
M-Labs
 Sheet: /USB/
 File: usb.kicad_sch

Title: Kirdy

Size: A3 Date: 2022-07-03
 KiCad E.D.A. kicad (6.0.0)

Rev: r0.1
 Id: 8/8