

4456 Synthesizer Mirny

Features

- 4-channel VCO/PLL
- Output frequency ranges from 53 MHz to >4 GHz
- Up to 13.6 GHz with Almazny mezzanine
- Higher frequency resolution than Urukul
- Lower jitter and phase noise
- Large frequency changes take several milliseconds

Applications

- Low-noise microwave source
- Quantum state control
- Driving acousto/electro-optic modulators

General Description

The 4456 Synthesizer Mirny card is a 4hp EEM module, part of the ARTIQ/Sinara family. It adds microwave generation capabilities to carrier cards such as 1124 Kasli and 1125 Kasli-SoC.

It provides 4 channels of PLL frequency synthesis. Output frequencies from 53 MHz to >4 GHz are supported. The range can be expanded up to 13.6 GHz with the Almazny mezzanine (4467 HF Synthesizer).

Each channel can be attenuated from 0 to -31.5 dB by a digital attenuator. RF switches on each channel provides at least 50 dB isolation.

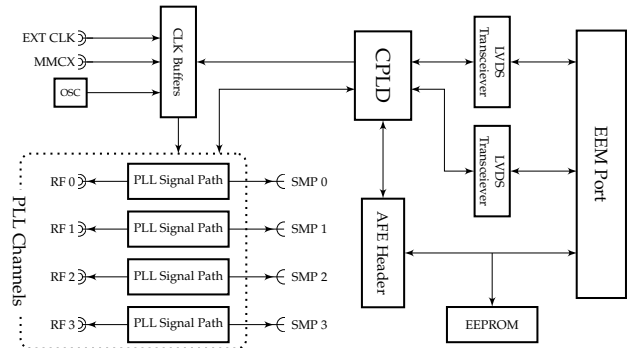


Figure 1: Simplified Block Diagram

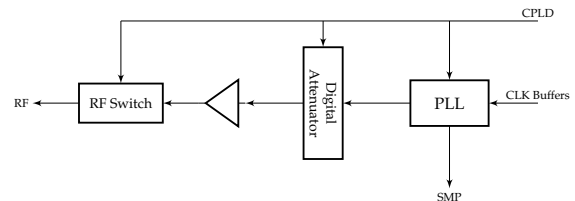


Figure 2: Simplified PLL Signal Path

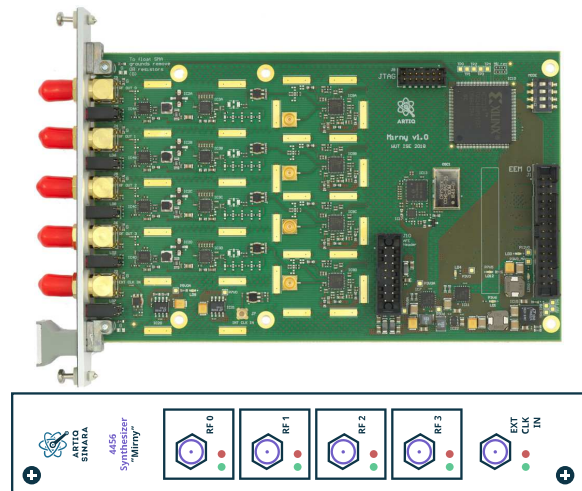


Figure 3: Mirny card and front panel

Source

4456 Synthesizer Mirny, like all the Sinara hardware family, is open-source hardware, and design files (schematics, PCB layouts, BOMs) can be found in detail at the repository <https://github.com/sinara-hw/mirny>.

Electrical Specifications

Specifications of parameters are based on the datasheets of the PLL IC (ADF5356¹), clock buffer IC (Si53340-B-GM²), and digital attenuator IC (HMC542BLP4E³). Test results are from Krzysztof Belewicz's thesis. "Microwave synthesizer for driving ion traps in quantum computing"⁴.

Table 1: Recommended Operating Conditions

| Parameter | Min. | Typ. | Max. | Unit | Conditions |
|---------------------------------------|------|------|------|------------------|--|
| Clock input Frequency ¹ | 10 | | 250 | MHz | Single-ended clock input (PLL config.) |
| | 10 | | 600 | MHz | Differential clock input (PLL config.) |
| Differential input swing ² | 0.11 | | 1.55 | V _{p-p} | |

Table 2: Output Specifications

| Parameter | Min. | Typ. | Max. | Unit | Conditions |
|----------------------------------|--------|---------|------|------|------------|
| Frequency | 53.125 | | 4000 | MHz | |
| Digital attenuation ³ | -31.5 | | 0 | dB | |
| Resolution | | | | | |
| Frequency ¹ | | 52 bits | | | |
| Phase offset ¹ | | 24 bits | | | |
| Digital attenuation ³ | | 0.5 dB | | | |

¹<https://www.analog.com/media/en/technical-documentation/data-sheets/ADF5356.pdf>

²<https://www.skyworksinc.com/-/media/Skyworks/SL/documents/public/data-sheets/si5334x-datasheet.pdf>

³<https://www.analog.com/media/en/technical-documentation/data-sheets/hmc542b.pdf>

⁴https://m-labs.hk/Krzysztof_Belewicz_V1.1.pdf

Phase noise performance of Mirny was tested using the ADF4351 evaluation kit⁴. The SPI signal was driven by the evaluation kit, converted into LVDS signal by propagating through the DIO-tester card, finally arriving at the Mirny card. Mirny was then connected to the RSA5100A spectrum analyzer for measurement.

Noise response spike can be improved by inserting an additional common-mode choke between the power supply and Mirny; note that this common-mode choke is not present on the card itself. The following is a comparison between the two setups at 1 GHz output:

- Red: Before any modifications
- Blue: CM choke added with an 100 μ F capacitor after the CM choke

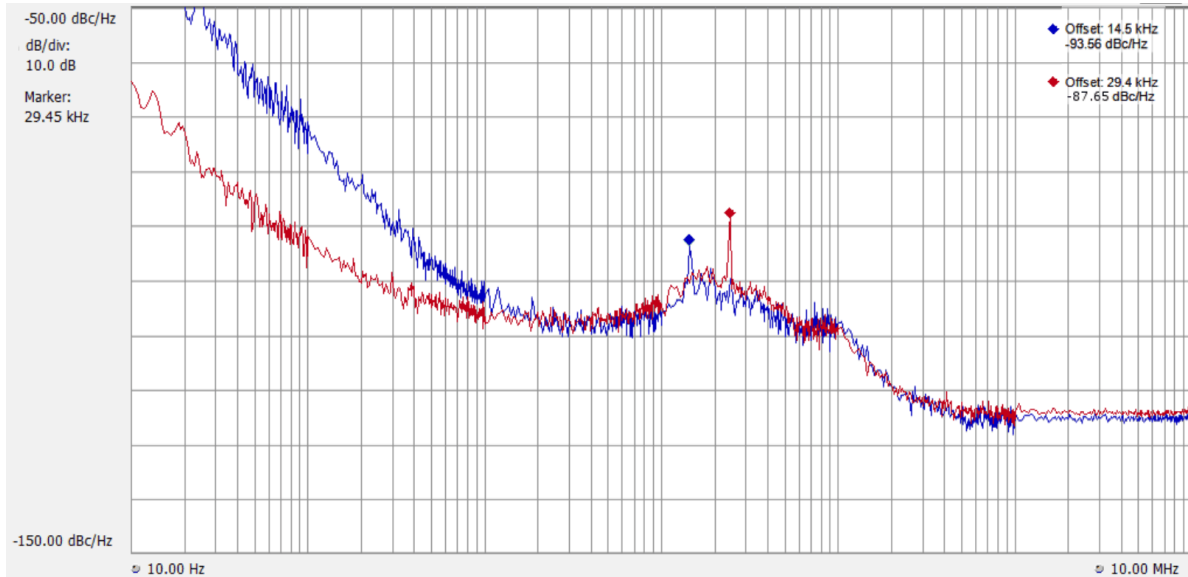


Figure 4: Phase noise measurement at 1 GHz

Phase noise at different output frequencies is then measured:

Table 3: Phase noise performance

| Output frequency | Phase noise (dBc/Hz) at carrier offset | | | | |
|------------------|--|--------|---------|-------|--------|
| | 1 kHz | 10 kHz | 100 kHz | 1 MHz | 10 MHz |
| 125 MHz | -114 | -116 | -115 | -132 | -133 |
| 500 MHz | -107 | -129 | -111 | -130 | -132 |
| 1 GHz | -102 | -106 | -107 | -125 | -133 |
| 2 GHz | -102 | -98 | -104 | -123 | -124 |
| 3.5 GHz | -96 | -101 | -103 | -127 | -128 |

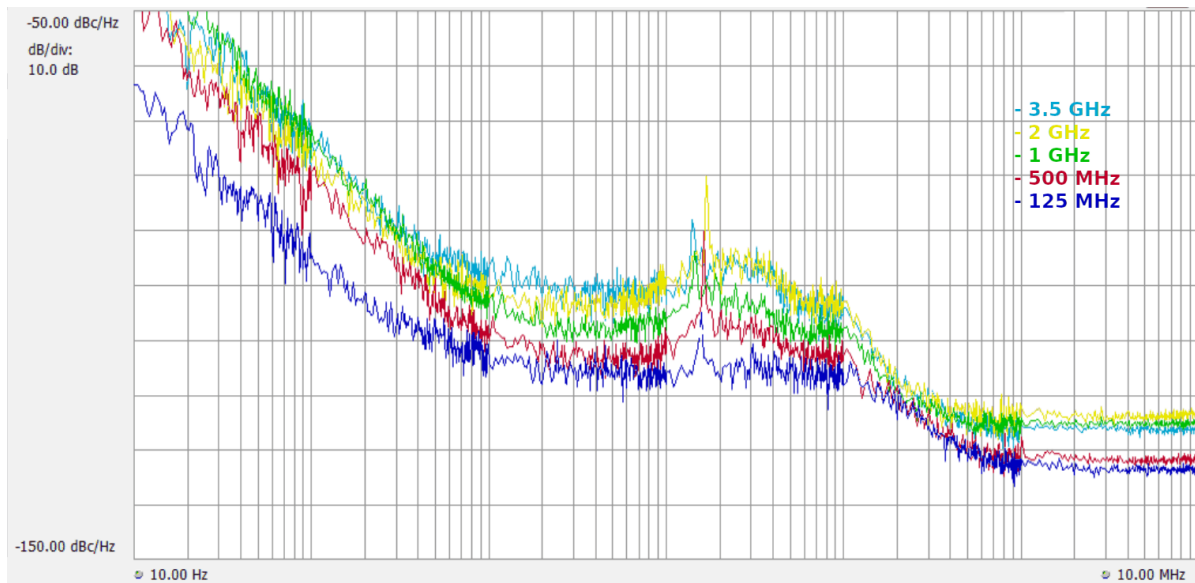


Figure 5: Phase noise measurement

ARTIQ Example Code

The sections below demonstrate simple usage scenarios of extensions on the ARTIQ control system. These extensions make use of the resources of the 4456 Synthesizer Mirny. They do not exhaustively demonstrate all the features of the ARTIQ system.

The full documentation for ARTIQ software and gateway, including the guide for its use, is available at <https://m-labs.hk/artiq/manual/>. Please consult the manual for details and reference material of the functions and structures used here.

1 GHz sinusoidal wave

Generates a 1 GHz sinusoid from RF0 with full scale amplitude, attenuated by 12 dB. Both the CPLD and the PLL channels should be initialized.

```
@kernel
def init_mirny(self):
    self.core.reset()
    self.cpld.init()
    self.pll0.init()
    self.pll0.set_frequency(1*GHz)
    self.pll0.set_att(12*dB)
    self.pll0.sw.on()
```

ADF5356 power control

Output power can be controlled by configuring the PLL channels individually in addition to the digital attenuators. After initialization of the PLL channel (ADF5356), the following line of code can change the output power level:

```
self.pll0.set_output_power_mu(0)
```

The parameter corresponds to a specific change of output power according to the following table¹.

Table 4: Power changes from ADF5356

| Parameter | Power |
|-----------|--------|
| 0 | -4 dBm |
| 1 | -1 dBm |
| 2 | +2 dBm |
| 3 | +5 dBm |

ADF5356 gives +5 dBm by default. The stored parameter in ADF5356 can be read using the following line"

```
print(self.pll0.output_power_mu())
```

Periodic 100µs pulses

The output can be toggled on and off periodically using the RF switches. The following code emits a 100µs pulse in every millisecond. A microwave signal should be programmed in prior (such as the 1 GHz wave example).

```
while True:
    self.pll0.sw.pulse(100*us)
    delay(900*us)
```

Ordering Information

To order, please visit <https://m-labs.hk> and choose 4456 Synthesizer Mirny in the ARTIQ/Sinara hardware selection tool. Cards can be ordered as part of a fully-featured ARTIQ/Sinara crate or standalone through the 'Spare cards' option. Otherwise, orders can also be made by writing directly to <mailto:sales@m-labs.hk>.

Information furnished by M-Labs Limited is provided in good faith in the hope that it will be useful. However, no responsibility is assumed by M-Labs Limited for its use. Specifications may be subject to change without notice.