

1124 Carrier Kasli 2.0

Features

- 4 SFP 6Gb/s slots for Ethernet & DRTIO at 2.5Gb/s
- 12 EEM ports for daughtercards
- 4 MMCX clock outputs
- Xilinx Artix-7 FPGA core
- DDR3 SDRAM

Applications

- Run ARTIQ kernels
- Communicate with the host
- Control other Sinara EEM cards
- Distributed Real-Time I/O

General Description

The 1124 Kasli 2.0 Carrier card is an 8hp EEM module, designed to run ARTIQ kernels sent from a host machine over the network. It supports up to 12 EEM connections to other EEM cards in the ARTIQ/Sinara family and up to four SFP connections, used for communications with other carriers and/or Ethernet.

Real-time control of EEM daughtercards is implemented using the ARTIQ RTIO system. 1ns temporal resolution can be achieved for TTL events.

4 SFP 6Gb/s slots are provided. One may be used for Ethernet, which supports communication with a host machine. Remaining slots can be used by the ARTIQ Distributed Real-Time Input/Output (DRTIO) system, which allows for the use of additional core devices (e.g. Kasli 2.0, Kasli-SoC) as satellite cards, capable of running subkernels or distributing commands from the DRTIO master.

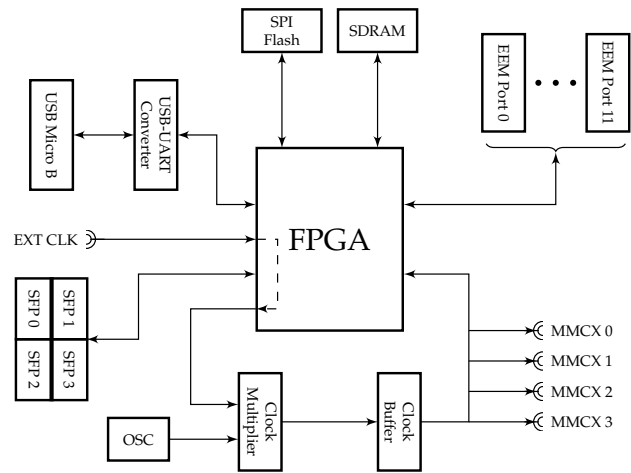


Figure 1: Simplified Block Diagram

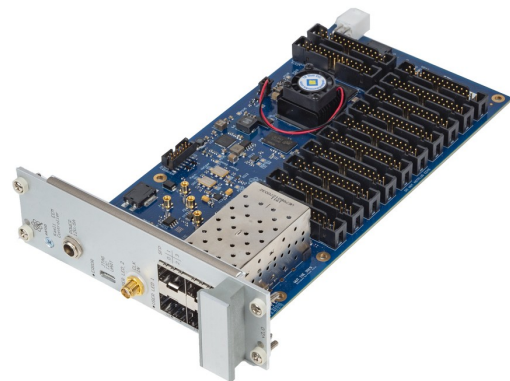


Figure 2: Kasli 2.0 card

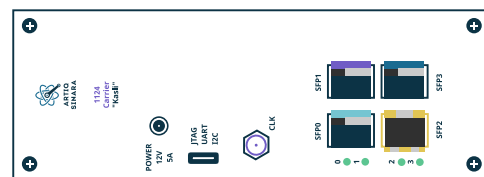


Figure 3: Kasli 2.0 front panel

Source

Kasli 2.0, like all the Sinara hardware family, is open-source hardware, and design files (schematics, PCB layouts, BOMs) can be found in detail at the repository <https://github.com/sinara-hw/Kasli>.

Electrical Specifications

External clock parameters are derived based on the internal termination specified in UG471¹ and the voltage range specified in DS181². These figures account for the insertion loss of the RF transformer (TC2-1TX+³).

Table 1: Recommended Operating Conditions

Parameter	Min.	Typ.	Max.	Unit	Conditions
Clock input Input frequency	125			MHz	Si5324 synthesizer bypassed
	10/80/100/125			MHz	RTIO clock synthesized from input
Power	-9	1.5	5.5	dBm	
Power supply rating	12V, 5A				

Power is to be supplied either through the barrel connector in the front panel (size 5.5 mm OD, 2.5 mm ID) or the Molex connector at the back of the card (compatible with e.g. Sinara 1106 EEM AC Power Module). It is passed on to daughtercards through the EEM connections. Locking barrel connectors are supported.

FPGA

Kasli 2.0 features an XC7A100T-3FGG484E Xilinx Artix-7 FPGA to facilitate reconfigurable high-speed real-time control of inputs and outputs. Most commonly, this FPGA is flashed with binaries compiled from the ARTIQ (Advanced Real-Time Infrastructure for Quantum physics) control system, which equips the carrier board with specialized gateway for handling other Sinara EEMs and an on-FPGA CPU for running ARTIQ experiment kernels.

A micro-USB located on the front panel is equipped for JTAG, I2C, and UART serial output. The serial interface runs at 115200bps 8-N-1.

Firmware/ARTIQ

ARTIQ is open-source and can be found in the repository <https://github.com/m-labs/artiq>. Orders of Sinara hardware are normally preflashed with suitable firmware and gateway binaries. Long-term support for ARTIQ systems can also be purchased, including updated binaries through AFWS (the ARTIQ Firmware Service).

Note on distributed RTIO (DRTIO)

DRTIO is the time and data transfer system which allows ARTIQ RTIO channels to be distributed among several core device carrier boards, synchronized and controlled by a central master device. The system itself is described in more detail in the ARTIQ documentation⁴. Within ARTIQ, core devices, including Kasli 2.0, can take one of three roles:

1. Master

A DRTIO system must contain one DRTIO master. It controls its own local RTIO channels and the downstream

¹https://docs.amd.com/v/u/en-US/ug471_7Series_SelectIO

²https://docs.xilinx.com/v/u/en-US/ds181_Artix_7_Data_Sheet

³<https://www.minicircuits.com/pdfs/TC2-1TX+.pdf>

⁴<https://m-labs.hk/artiq/manual/drtio.html>

DRTIO satellite(s). It requires a direct network connection to the host machine. It may make downstream connections to satellites.

2. Satellite

Other core devices in a DRTIO system are DRTIO satellites. They require an upstream connection to one other core device, master or satellite, through which communications are carried to the master. They may make further downstream connections to other satellites. They may control their local RTIO channels directly through subkernels or simply pass on communications from the master.

3. Standalone

When run in a non-distributed ARTIQ configuration, with a single central core device but without satellites, that core device is known as standalone.

Communication Interfaces

Communication between devices is implemented using 1000Base-T small form-factor pluggable (SFP) interfaces. Four are available on the Kasli 2.0. Appropriate SFP transceivers must be plugged inside the corresponding SFP cages. Each SFP connector possesses an indicator LED.

Transceiver maximum speed is 6.6 Gb/s⁵. DRTIO is normally run at 2.5 Gb/s with 8b10b encoding.

Upstream connection

A Kasli 2.0 board must acquire an upstream connection through the SFP0 slot.

- **Standalone/Master**

An Ethernet-capable SFP transceiver should be inserted into the SFP0 slot. Typically, a 10000Base-X RJ45 SFP module is used, with an network-connected Ethernet cable attached to the module.

- **Satellite**

The SFP0 port should be connected to one of the free SFP slots on an upstream core device, using a cable or fibre connection with SFP transceivers.

Downstream connection

Kasli 2.0 supports up to 3 DRTIO satellite connections per device. Any of the 3 downstream SFP ports (i.e. SFP1, SFP2, SFP3) may be used. The destination on port SFPn normally receives the destination number n.

Clock Routing

Standalone/Master

The RTIO clock is typically synthesized by the Si5324 clock multiplier and distributed by the ADCLK948 clock fanout buffer to both the FPGA and the MMCX connectors. Alternatively, an external reference can be supplied through the front panel SMA connector. It is then buffered in the FPGA and sent to the Si5324 for clock synthesis. Kasli 2.0 supports a set of RTIO clock options:

⁵<https://www.amd.com/en/products/adaptive-socs-and-fpgas/technologies/high-speed-serial.html>

RTIO frequency	Configuration	Clock generation
100 MHz	<code>int_100</code>	internal crystal oscillator using PLL, 100 MHz output
125 MHz	<code>int_125</code>	internal crystal oscillator using PLL, 125 MHz output (default)
	<code>ext0_synth0_10to125</code>	external 10 MHz reference using PLL, 125 MHz output
	<code>ext0_synth0_80to125</code>	external 80 MHz reference using PLL, 125 MHz output
	<code>ext0_synth0_100to125</code>	external 100 MHz reference using PLL, 125 MHz output
	<code>ext0_synth0_125to125</code>	external 125 MHz reference using PLL, 125 MHz output

The clock synthesizer may also be bypassed, using the `ext0_bypass` option, which will accept a RTIO clock directly supplied to the SMA connector. The resulting signal is then routed to both the RTIO system and downstream satellites.

Clocking options in a running system should be configured by setting the value of the `rtio_clock` key to the desired configuration through the ARTIQ `artiq_coremgmt` command. For example, a RTIO frequency of 125MHz will be synthesized from an external 10 MHz signal after issuing the following command:

```
artiq_coremgmt config write -s rtio_clock ext0_synth0_10to125
```

and rebooting.

Satellite

The RTIO clock is recovered from the SFP transceiver connected to the upstream device. The resulting signal is then cleaned up by the Si5324 and routed to both the RTIO system and downstream satellites.

WRPLL

Kasli 2.0 can be configured to use WRPLL, a clock recovery method making use of White Rabbit's DDMTD (Digital Dual Mixer Time Difference) and the card's Si549 oscillators, both to lock the main RTIO clock and to lock satellite clocks to master.

User LEDs

Kasli 2.0 supplies three user LEDs for debugging purposes. Two are located on the front panel. The third is located on the PCB itself, beside the SFP cage. An additional ERR LED on the front panel is used by ARTIQ firmware to indicate a runtime panic.

ARTIQ System Description Entry

ARTIQ/Sinara firmware/gateway is generated according to a JSON system description file, allowing gateway to be specific to and optimized for a certain system configuration.

An example description file for a system using 1124 Kasli 2.0 as a master core device might begin:

```
"target": "kasli",
"variant": "my_variant",
"hw_rev": "v2.0",
"base": "master",
"peripherals": [ ]
```

where the `peripherals` list contains the corresponding entries for peripherals (daughtercards) in use.

For all accepted keys and values, see the JSON schema `coredevice_generic.schema.json` in the ARTIQ repository.⁶

Example ARTIQ Code

The sections below demonstrate simple usage scenarios of extensions on the ARTIQ control system. These extensions make use of the resources of the Kasli 2.0 1124 carrier. They do not exhaustively demonstrate all the features of the ARTIQ system.

The full documentation for ARTIQ software and gateway, including guides for their use, is available at <https://m-labs.hk/artiq/manual/>. Please consult the manual for details and reference material of the functions and structures used here.

Direct Memory Access (DMA)

Instead of directly emitting RTIO events, sequences of RTIO events can be recorded in advance and stored in the local SDRAM. The event sequence can then be replayed at a specified timestamp. This is of special advantage in cases where RTIO events are too closely placed to be generated as they are executed, as events can be replayed at a higher speed than the on-FPGA CPU alone is capable of.

The following example records an LED event sequence and replays it twice consecutively using `CoreDMA`. When run, the LED should blink twice.

```
@kernel
def record(self):
    with self.core_dma.record("led_blink"):
        delay(100*ms)
        self.led0.on()
        delay(100*ms)
        self.led0.off()

@kernel
def playback(self, n):
    handle = self.core_dma.get_handle("led_blink")
    self.core.break_realtime()
    for _ in range(n):
        self.core_dma.playback_handle(handle)

@kernel
def run(self):
    self.core.reset()
    self.record()
    self.playback(2)
```

Stored waveforms can be referenced and replayed in different kernels, but cannot be retrieved and must be regenerated if the core device is rebooted.

Dataset manipulation with core device cache

Experiments may require values computed or found in previously executed kernels. To avoid invoking an RPC or sacrificing the pre-computation in `prepare()` stage, data can be stored in the core device cache.

⁶https://github.com/m-labs/artiq/blob/release-8/artiq/coredevice/coredevice_generic.schema.json

The following code snippets describe two experiments, in which the data from the first experiment is cached. The data is then retrieved and printed in hexadecimal form in the second experiment.

```
@kernel
def put(self, key, value):
    self.core_cache.put(key, value)

# First experiment
@kernel
def run(self):
    self.put("data", [0xCAFE, 0xDEAD, 0xBEEF])
```

```
@kernel
def get(self, key):
    return self.core_cache.get(key)

@rpc(flags={"async"})
def p(self, p):
    print([hex(_) for _ in p])

# Second experiment
@kernel
def run(self):
    self.p(self.get("data"))
```

Similar to DMA, cached data is no longer retrievable once the core device has been rebooted.

Ordering Information

To order, please visit <https://m-labs.hk> and choose 1124 Carrier Kasli 2.0 in the ARTIQ/Sinara hardware selection tool. Cards can be ordered as part of a fully-featured ARTIQ/Sinara crate or standalone through the 'Spare cards' option. Otherwise, orders can also be made by writing directly to <mailto:sales@m-labs.hk>.

Information furnished by M-Labs Limited is provided in good faith in the hope that it will be useful. However, no responsibility is assumed by M-Labs Limited for its use. Specifications may be subject to change without notice.