

5568 HD68-IDC

Features

- 32 channels
- Internal IDC connector
- External HD68 connectors

Applications

- Branch out analog signal from:
 - 5432 DAC Zotino
 - 5632 DAC Fastino
- BNC or SMA adapter when used with:
 - 5518 BNC-IDC
 - 5528 SMA-IDC

General Description

The 5568 HD68-IDC card is a 4hp EEM module, part of the ARTIQ/Sinara family. It is an adapter card that converts IDC connections to or from HD68 connections. It can be connected via external HD68 cable to 5518 BNC-IDC or 5528 SMA-IDC cards.

Each card supports 32 channels, with one HD68 connector and four IDC connectors. Each IDC connector supports 8 channels. All 32 channels can be accessed using an external HD68 cable.

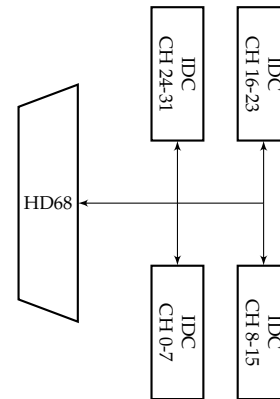


Figure 1: Simplified Block Diagram

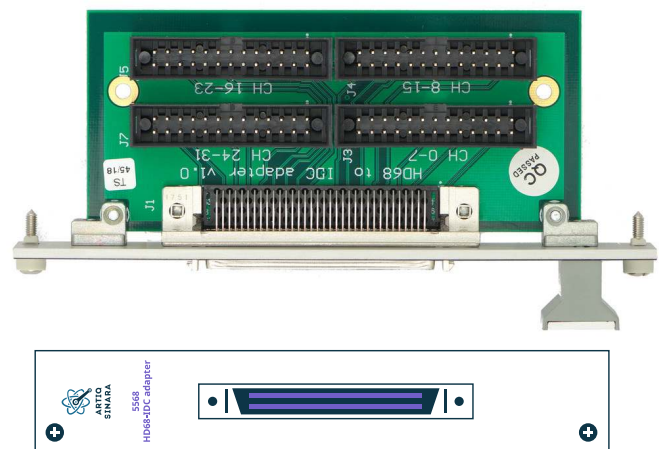


Figure 2: Card and front panel

Source

5568 HD68-IDC, like all the Sinara hardware family, is open-source hardware, and design files (schematics, PCB layouts, BOMs) can be found in detail at the repository https://github.com/sinara-hw/IDC_HD68_Adapter.

Cable Connection Diagram

The 5568 HD68-IDC card can convert signals from HD68 format to IDC format. Within the Sinara family, the analog output of 5432 DAC Zotino & 5632 DAC Fastino cards is exported using HD68 connectors. To break out the analog signal into a different crate, connect 5568 HD68-IDC with the DAC card using an external SCSI cable. Then plug in IDC cables to the appropriate IDC connectors to break out the signal to e.g. 5518 BNC-IDC, 5528 SMA-IDC, or 5538 MCX-IDC.

The cable connections for 5568 HD68-IDC can be seen in the diagram below.

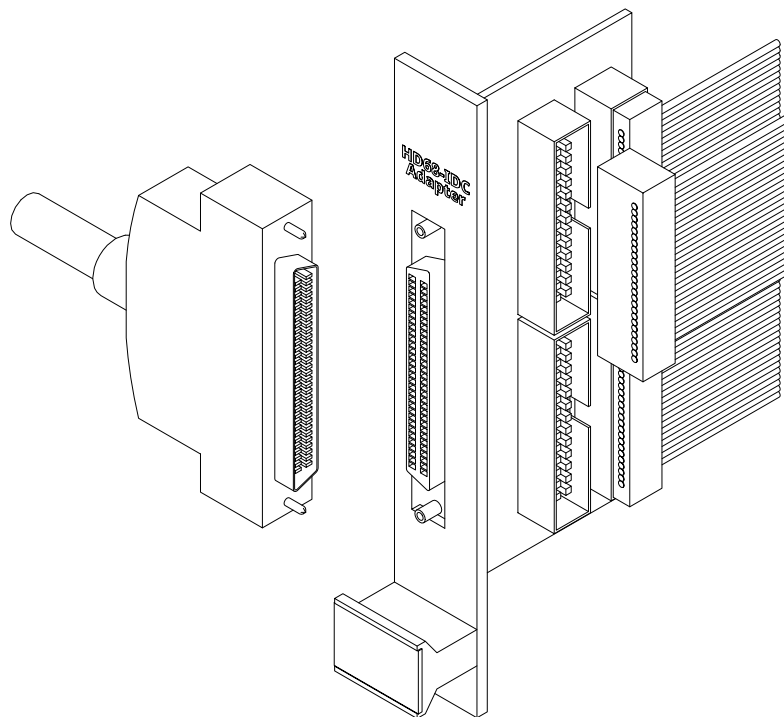


Figure 3: HD68-IDC connection diagram

Ordering Information

To order, please visit <https://m-labs.hk> and choose 5568 HD68-IDC in the ARTIQ/Sinara hardware selection tool. Cards can be ordered as part of a fully-featured ARTIQ/Sinara crate or standalone through the 'Spare cards' option. Otherwise, orders can also be made by writing directly to <mailto:sales@m-labs.hk>.

Information furnished by M-Labs Limited is provided in good faith in the hope that it will be useful. However, no responsibility is assumed by M-Labs Limited for its use. Specifications may be subject to change without notice.